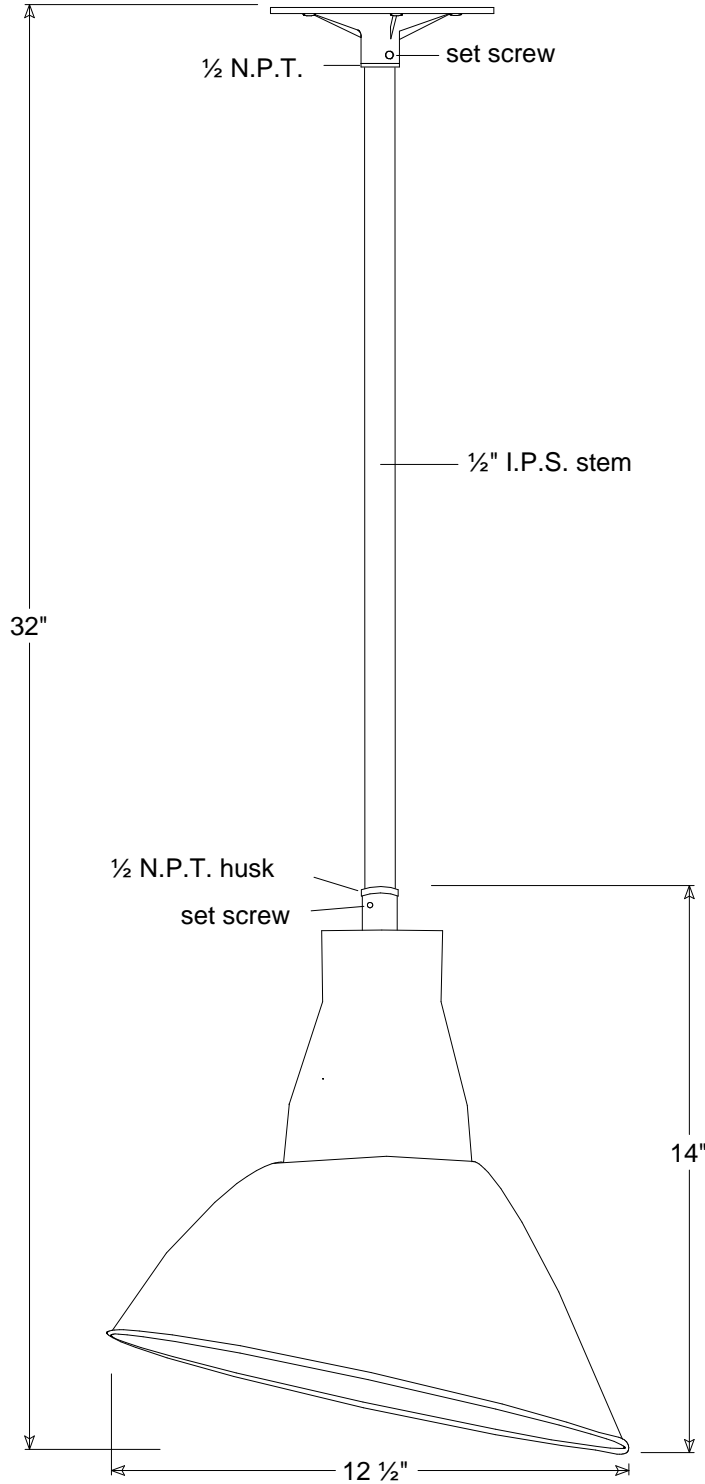




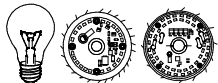
# Primelite Manufacturing Corp

407 S Main St, Freeport, NY 11520  
 Phone: 516-868-4411 | Fax: 516-868-4609  
 sales@primelite-mfg.com | www.primelite-mfg.com

<b>PART #</b> #20/12-18	<b>LAMP</b> Incandescent   LED	<b>VOLTAGE</b> 120 V	<b>COLOR</b> Power Coated Paint
<b>JOB NAME</b>			<b>TYPE</b> Pendant



Lamp: Incandescent | LED



1/200A | LED12 | LED22

Construction: Aluminum

Unless Otherwise Specified:  
Dimensions in Inches

Name	Date
iv	04/02/18

## Pendant #20/12-18

12 1/2" Dia Shade | 18" Stem

Drawn	Checked	ENG Appr.	MFR Appr.	QA	Comments	Size	Drawing No.	Rev
						<b>A</b>	<b>0001</b>	<b>A</b>
Scale			CAD File	Sheet	<b>1 of 1</b>			

Revisions		Date	Approved
Zone	Rev	Description	