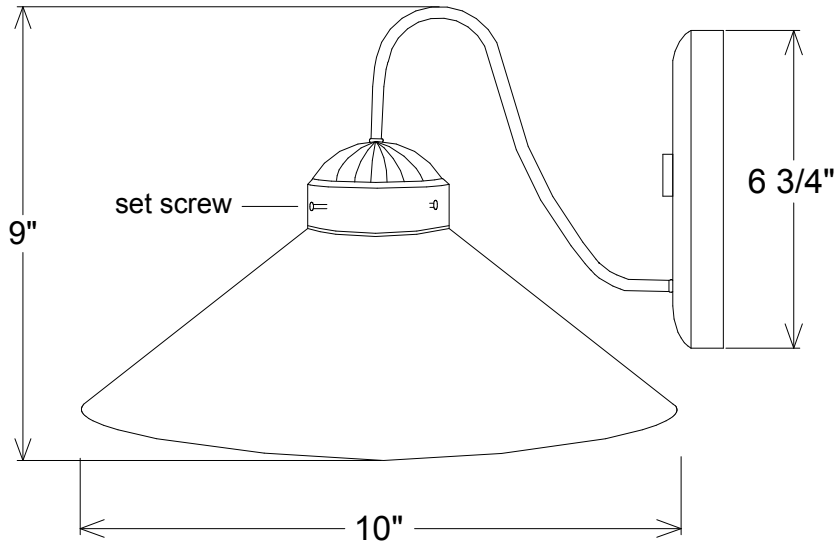
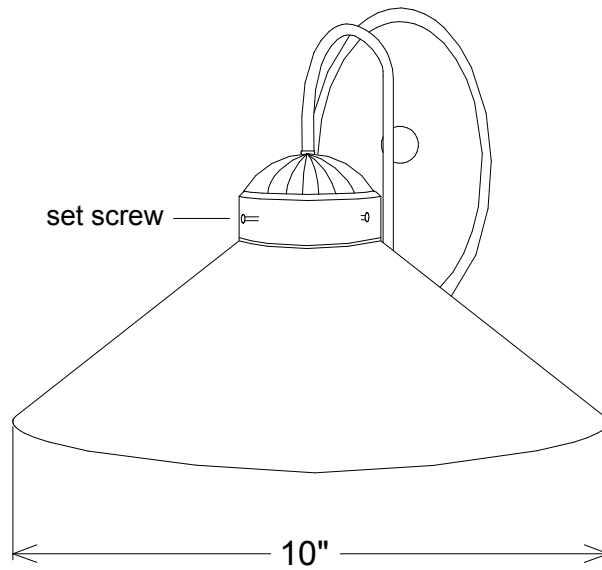


Side View



Front View



Unless Otherwise Specified: Dimensions in Inches Tolerances: Fractional ± Angular: Mach ± Bend ± Two Place Decimal ± Three Place Decimal ±		Name	Date	Primelite Mfg. Corp.		
	Drawn	T.A.R.	10/14/10			
	Checked			Amber Cased Glass		
	ENG Appr.					
	MFR Appr.			A	0001	A
QA			Scale	CAD File	Sheet	
Construction: Steel, Glass	Comments			1:3		1 of 1
	CAD Generated Drawing Do Not Manually Update					
Lamp: 1-100A						