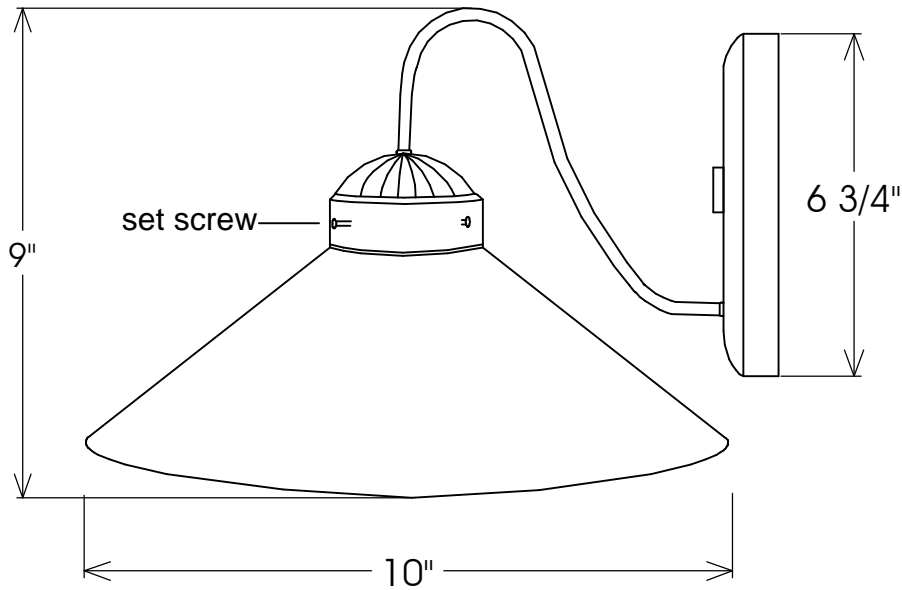
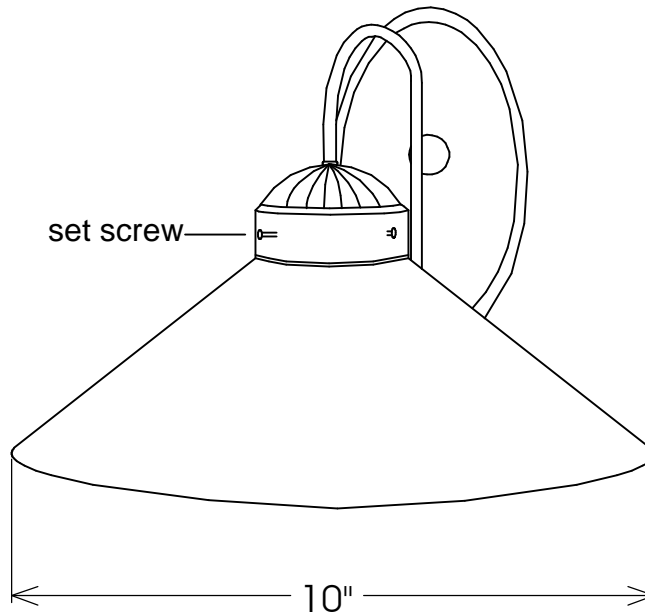


Side View



Front View



Closeout

Unless Otherwise Specified: Dimensions in Inches Tolerances: Fractional ± Angular: Mach ± Bend ± Two Place Decimal ± Three Place Decimal ±		Name	Date	Primelite Mfg. Corp.			
	Drawn	T.A.R.	10/14/10				190-101 Blue Cased Glass
	Checked			Size	Drawing No.	Rev	
	ENG Appr.			A	0001	A	
	MFR Appr.			Scale	1:3	CAD File	Sheet
QA							
Comments	CAD Generated Drawing Do Not Manually Update						
Construction: Steel, Glass							
Lamp: 1-100A							