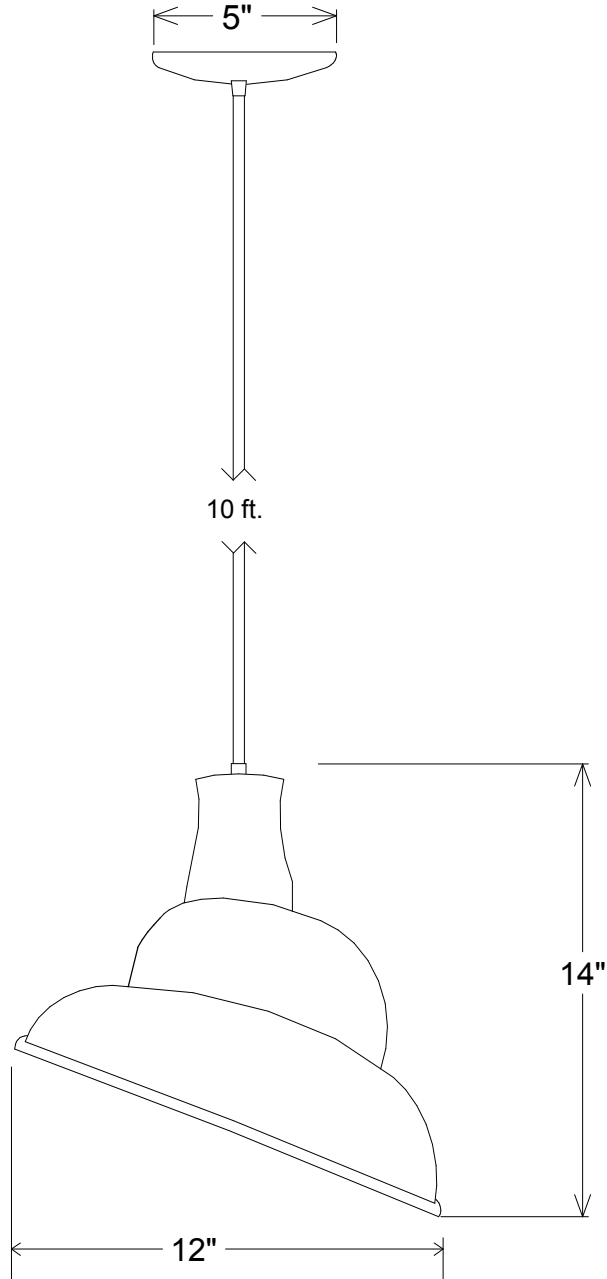


Revisions				
Zone	Rev	Description	Date	Approved



Unless Otherwise Specified: Dimensions in Inches Tolerances: Fractional ± Angular: Mach ± Bend ± Two Place Decimal ± Three Place Decimal ±	Name	Date	Primelite Mfg. Corp.		
	Drawn	T.A.R.			08/19/10
	Checked			19	
	ENG Appr.				
	MFR Appr.				
QA					
Construction: All Aluminum	Comments		Size	Drawing No.	Rev
	CAD Generated Drawing Do Not Manually Update		A	0001	A
Lamp: 1-100A			Scale	CAD File	Sheet
			1:4		1 of 1