

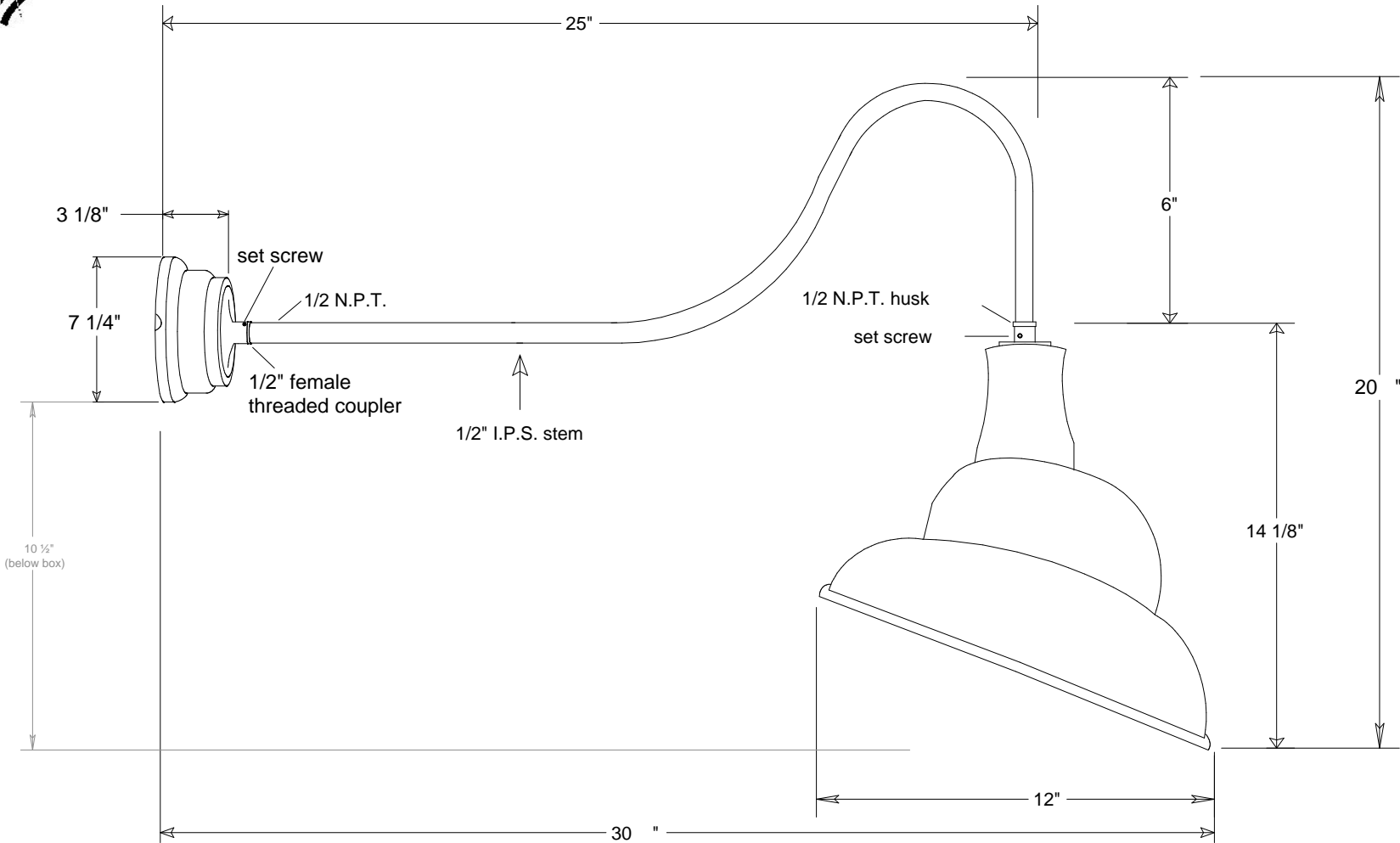


Primelite Manufacturing Corp

407 S Main St, Freeport, NY 11520

Phone: 516-868-4411 | Fax: 516-868-4609
 sales@primelite-mfg.com | www.primelite-mfg.com

PART #	LAMP	VOLTAGE	COLOR
JOB NAME			TYPE



Unless Otherwise Specified: Dimensions in Inches Tolerances: Fractional ± Angular: Mach ± Bend ± Two Place Decimal ± Three Place Decimal ±	Name	Date	Gooseneck #19/850 SBP			
	Drawn	lv				11/29/17
	Checked			12" Shade 22" Arm 10 1/2" Below Box		
	ENG Appr.					
	MFR Appr.			Size	Drawing No.	Rev
QA			A	0001	A	
Construction: Aluminum	Comments		Scale	CAD File	Sheet	
Lamp: Incandescent LED					1 of 1	

Revisions				
Zone	Rev	Description	Date	Approved