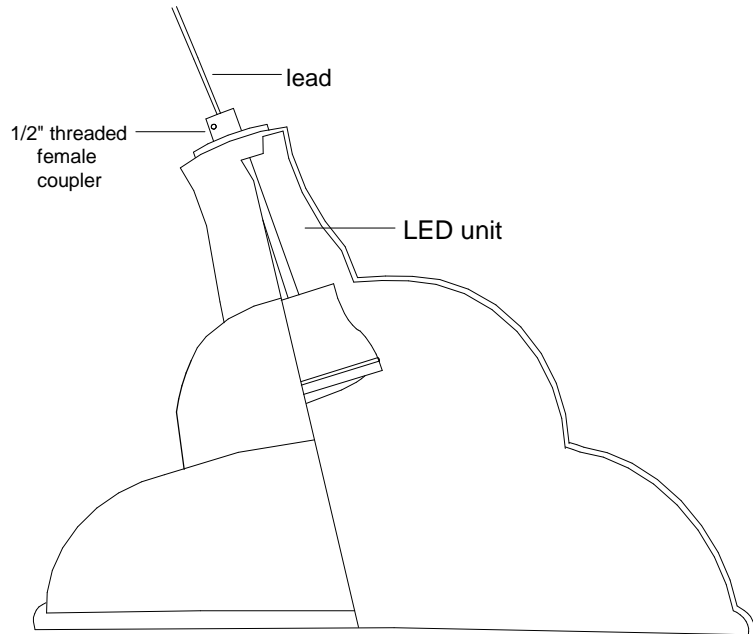
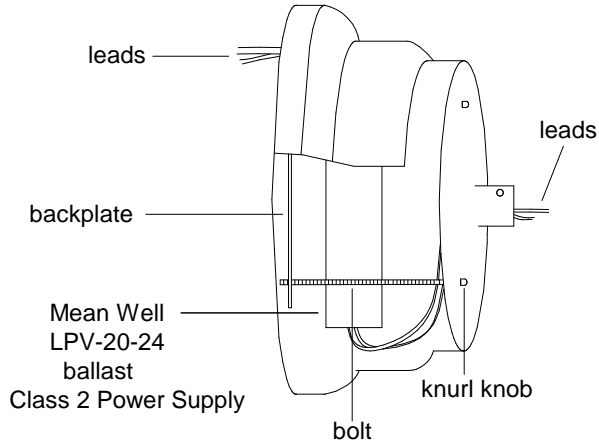
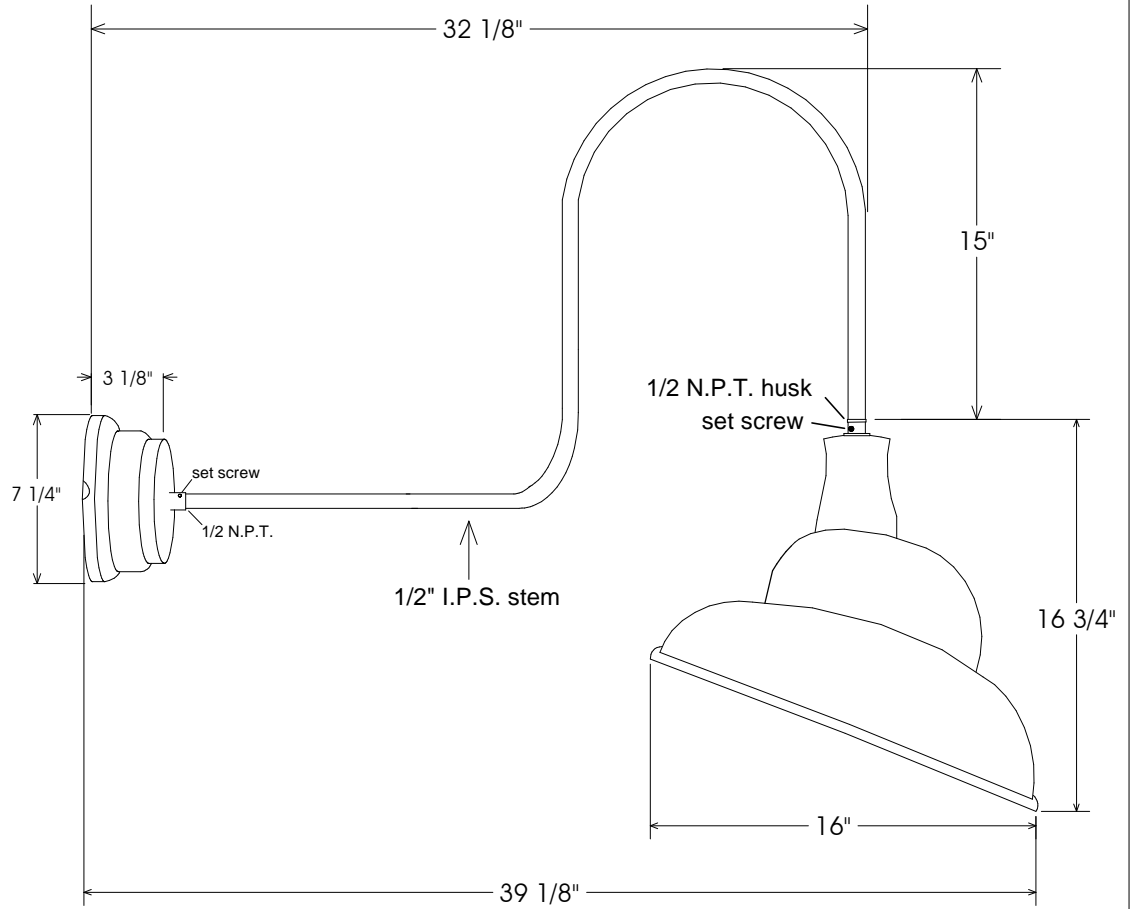


Small Ballast Pot Canopy



19/16A Shade



- 50,000 hour life
- Average savings is \$39.42 per year as compared to a 75 Watt incandescent
- Savings of \$ 518.16 for the life of the fixture
- Lumen output is equal to a 75 Watt bulb.

Unless Otherwise Specified: Dimensions in Inches Tolerances: Fractional ± Angular: Mach ± Bend ± Two Place Decimal ± Three Place Decimal ±	Name T.A.R.	Date 02/07/12	Primelite Mfg. Corp. 19/16-851 LED 24 Watt 1000 Lumens @ 3000K 1250 Lumens @ 4000K 24 Volt Output
	Drawn	Date 04/12/12	
	Checked		
	ENG Appr.		
	MFR Appr.		
Construction: All Aluminum	Comments CAD Generated Drawing Do Not Manually Update		Size A
Pipe Size: 1/2"			Drawing No. 0001
			Rev A
	Scale	CAD File	Sheet 1 of 1