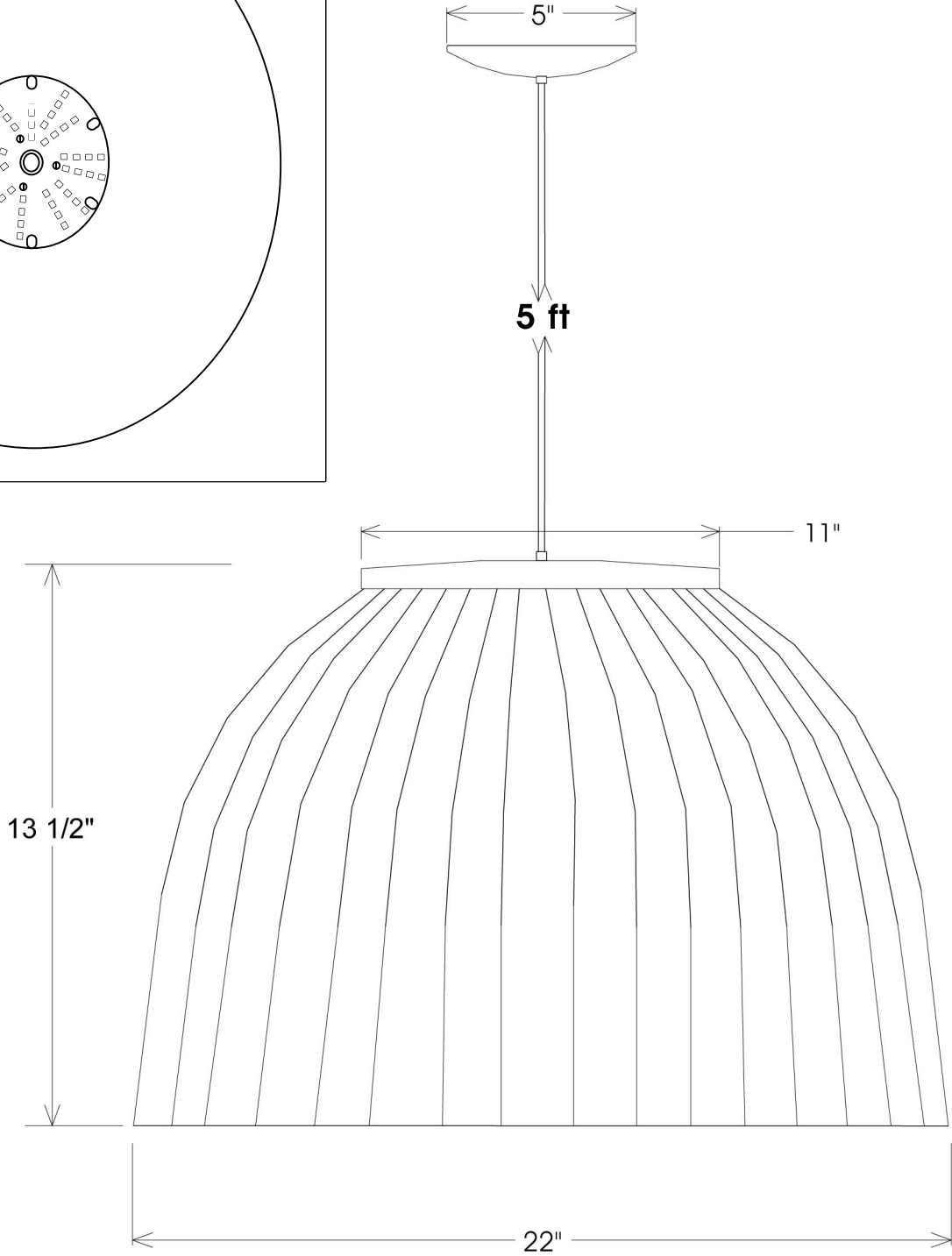


VIEW INSIDE



Unless Otherwise Specified: Dimensions in Inches Tolerances: Fractional ± Angular: Mach ± Bend ± Two Place Decimal ± Three Place Decimal ±		Name	Date	Primelite Mfg. Corp. 181-1224 S SPECIAL LED20 WATT 5 FT STEM		
	Drawn	SAM	8/8/14			
	Checked					
	ENG Appr.					
	MFR Appr.					
	QA					
Construction: steel, acrylic	Comments			Size A	Drawing No. 0001	Rev A
Lamp: 1-200A	CAD Generated Drawing Do Not Manually Update			Scale 1:4	CAD File	Sheet 1 of 1