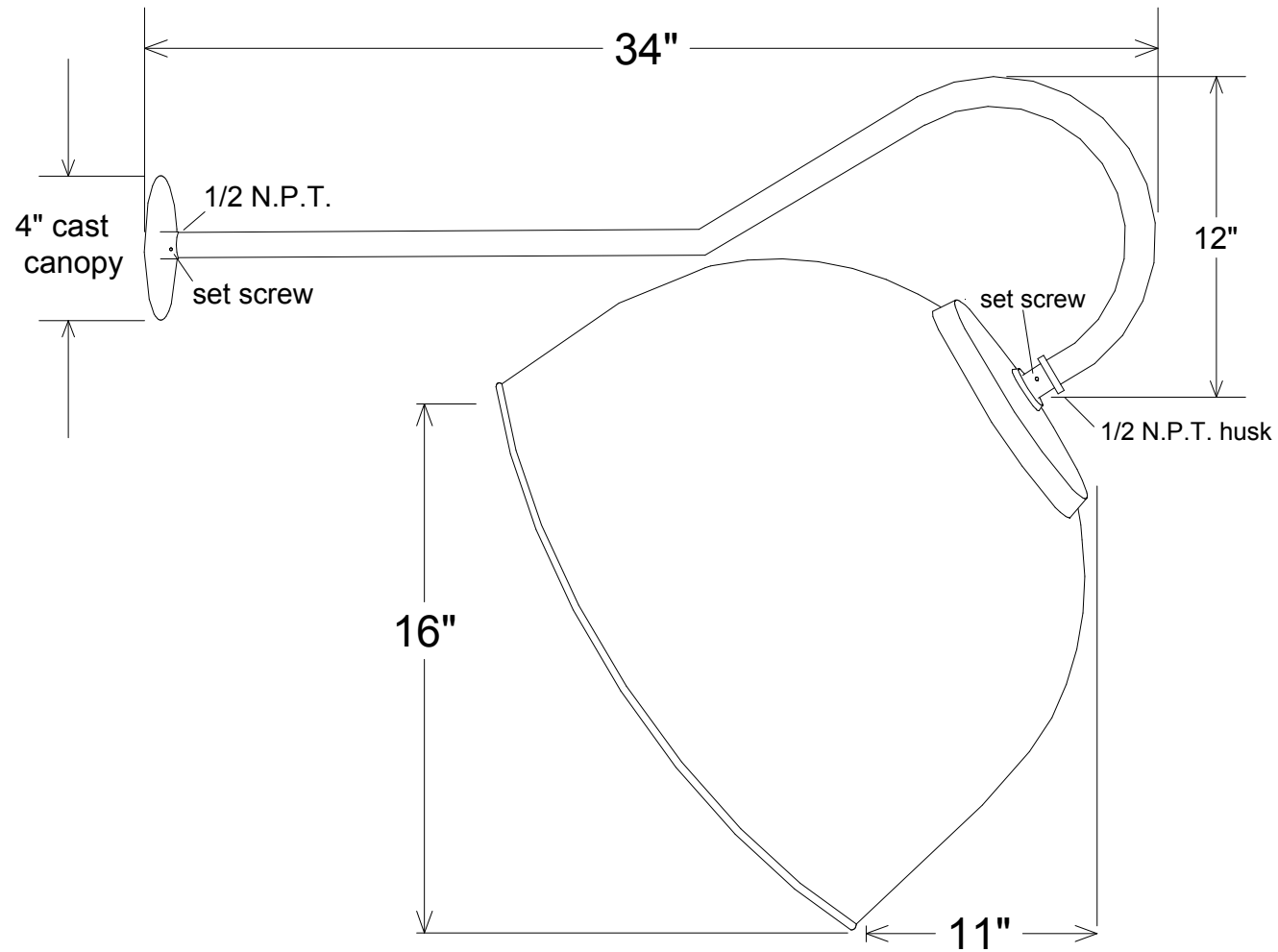


Revisions			Date	Approved
Zone	Rev	Description		



Unless Otherwise Specified: Dimensions in Inches Tolerances: Fractional ± Angular: Mach ± Bend ± Two Place Decimal ± Three Place Decimal ±	Drawn	T.A.R.	11/25/09	Primelite Mfg. Corp. 181-1164/864 Acrylic
	Checked			
	ENG Appr.			
	MFR Appr.			
	QA			
Construction: All Aluminum	Comments			Size
Pipe Size: 1/2"	CAD Generated Drawing Do Not Manually Update			A
Lamp: 1-300A				Drawing No.
				0001
				Rev
				A
	Scale		1:4	CAD File
				Sheet
				1 of 1