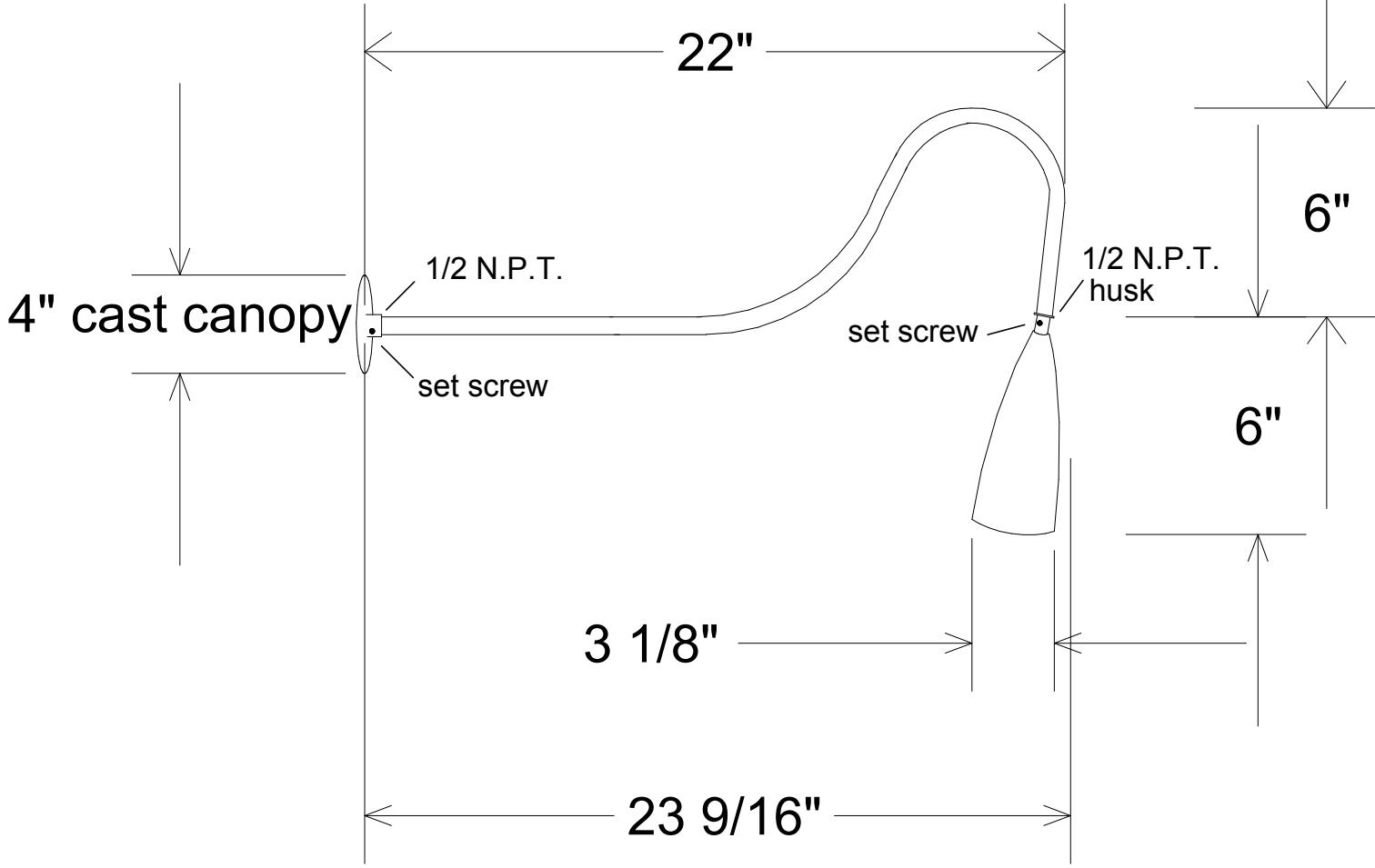


Revisions			Date	Approved
Zone	Rev	Description		



Unless Otherwise Specified:	
Dimensions in Inches	
Tolerances: Fractional ±	
Angular: Mach ± Bend ±	
Two Place Decimal ±	
Three Place Decimal ±	
Construction: All Aluminum	
Pipe Size: 1/2"	
Lamp: 1-60A	

Drawn	Name	Date
	T.A.R.	10/07/09
Checked		
ENG Appr.		
MFR Appr.		
QA		
Comments		
CAD Generated Drawing Do Not Manually Update		

Primelite Mfg. Corp.		
18/850		
Size	Drawing No.	Rev
A	0001	A
Scale	CAD File	Sheet
1:5		1 of 1