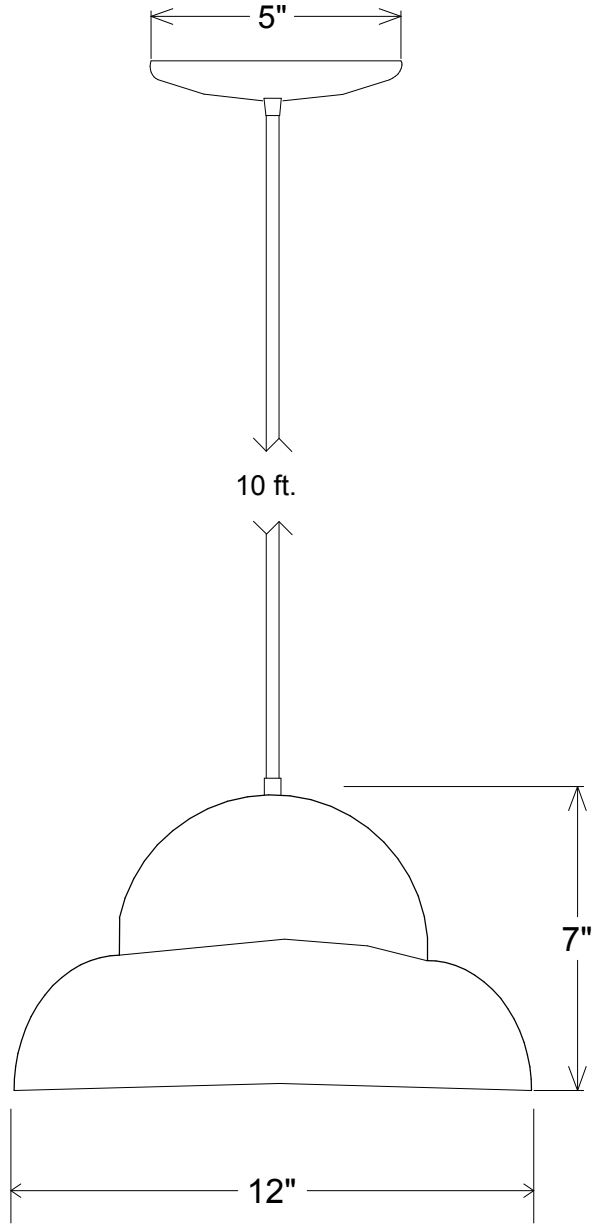


Revisions				
Zone	Rev	Description	Date	Approved



Unless Otherwise Specified: Dimensions in Inches Tolerances: Fractional ± Angular: Mach ± Bend ± Two Place Decimal ± Three Place Decimal ±	Name	Date	Primelite Mfg. Corp.				
	Drawn	T.A.R.			08/19/10		
	Checked			17			
	ENG Appr.						
	MFR Appr.						
Construction: All Aluminum	QA		Size	Drawing No.	Rev		
Lamp: 1-100A	Comments	CAD Generated Drawing Do Not Manually Update	A	0001	A		
			Scale	1:4	CAD File	Sheet	1 of 1