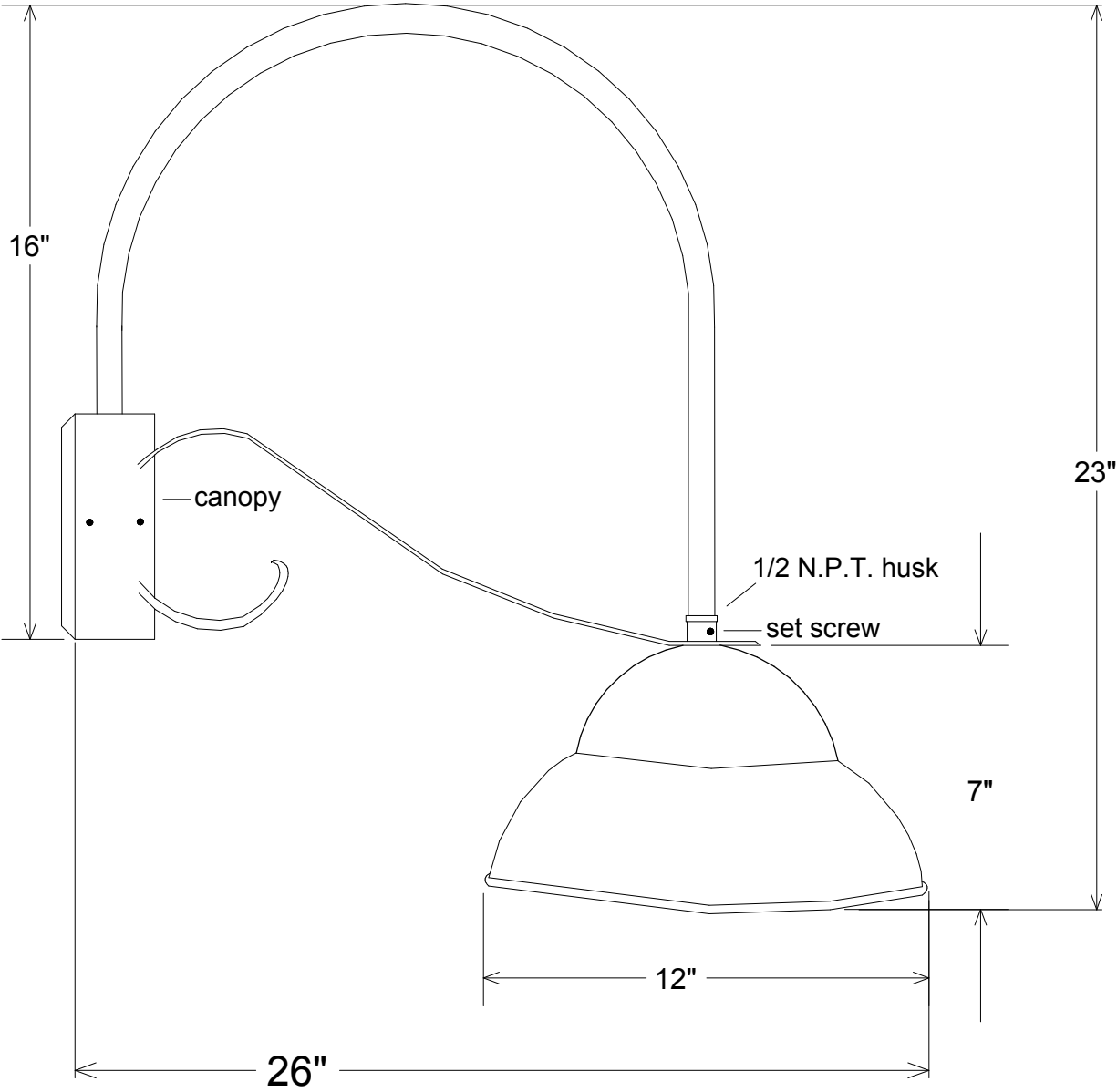


Revisions				
Zone	Rev	Description	Date	Approved



<b>Unless Otherwise Specified:</b> Dimensions in Inches Tolerances: Fractional ± Angular: Mach ± Bend ± Two Place Decimal ± Three Place Decimal ±	Name		Date	<b>Primelite Mfg. Corp.</b>  <b>17/866 SCA</b>		
	Drawn	T.A.R.	12/01/09			
	Checked					
	ENG Appr.					
	MFR Appr.					
QA						
Comments	CAD Generated Drawing Do Not Manually Update			Size	Drawing No.	Rev
Construction: All Aluminum				A	0001	A
Pipe Size: 1/2"				Scale	CAD File	Sheet
Lamp: 1-200A				1:4		1 of 1