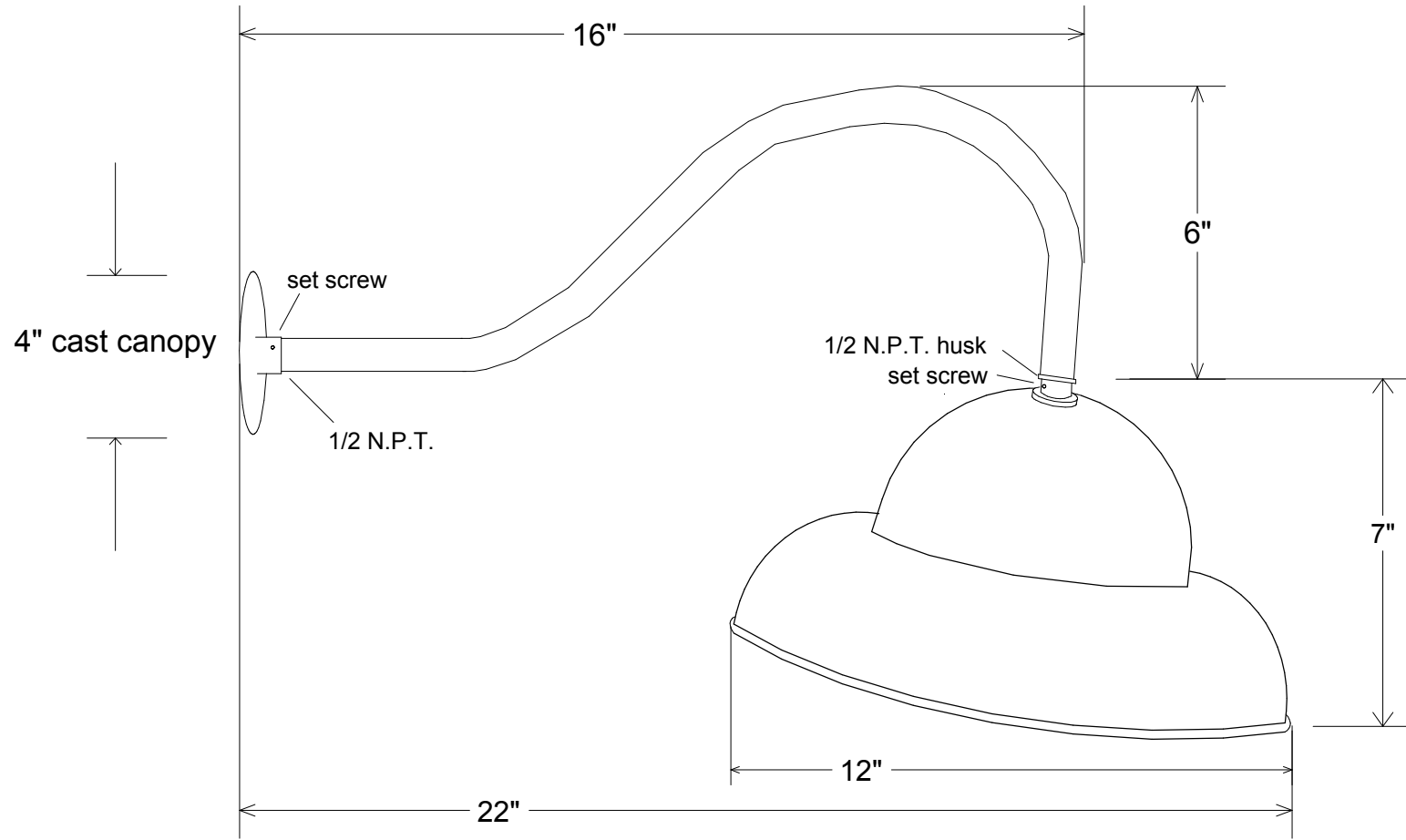


Revisions			Date	Approved
Zone	Rev	Description		



Unless Otherwise Specified: Dimensions in Inches Tolerances: Fractional ± Angular: Mach ± Bend ± Two Place Decimal ± Three Place Decimal ±	Drawn	Name	Date	Primelite Mfg. Corp. 17/859		
	T.A.R.		11/13/09			
	Checked					
	ENG Appr.					
	MFR Appr.					
	QA			Size	Drawing No.	Rev
Construction: All Aluminum	Comments			A	0001	A
Pipe Size: 1/2"	CAD Generated Drawing Do Not Manually Update			Scale	CAD File	Sheet
Lamp: 1-200A				1:4		1 of 1