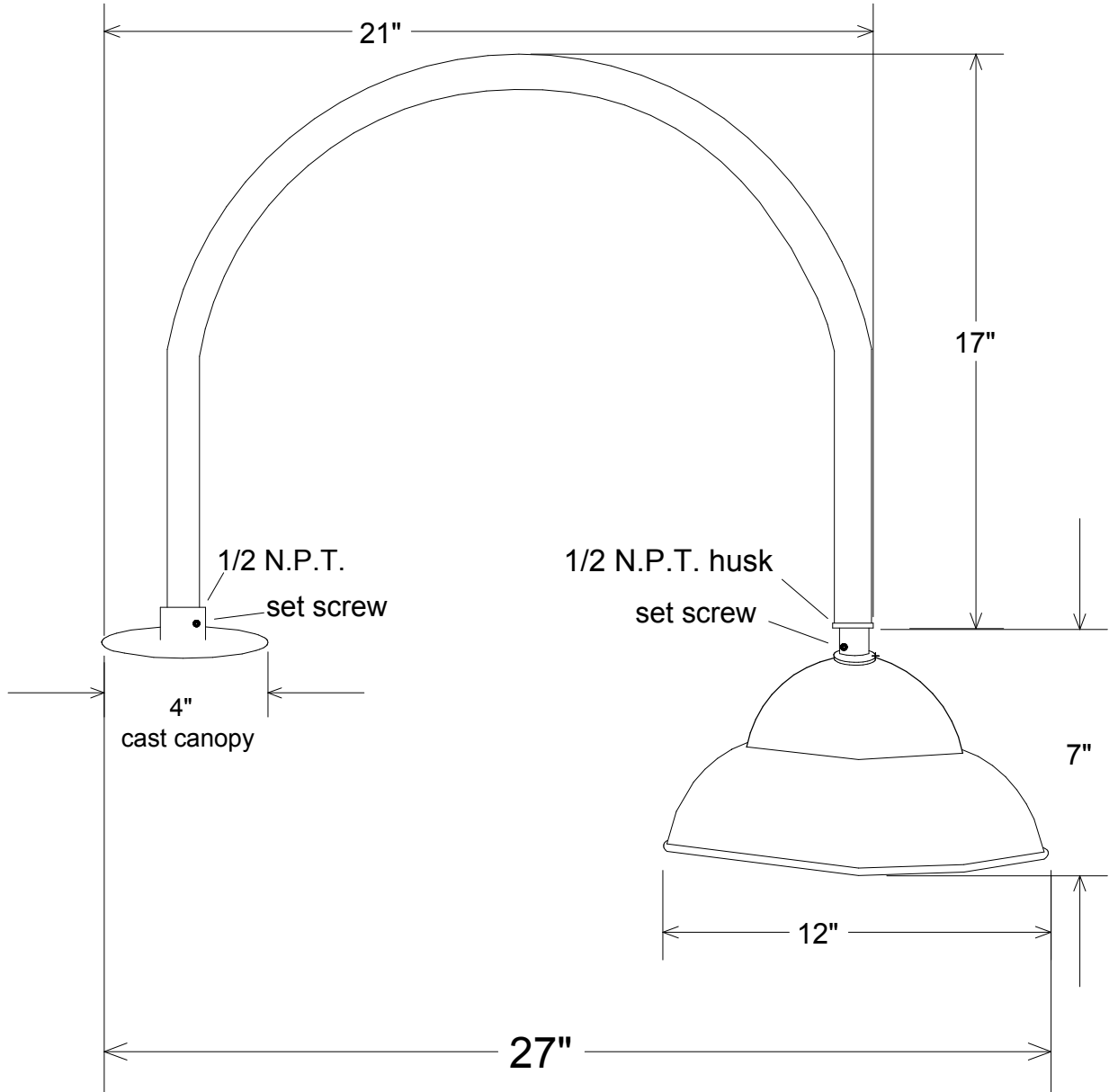


Revisions				
Zone	Rev	Description	Date	Approved



Unless Otherwise Specified: Dimensions in Inches Tolerances: Fractional ± Angular: Mach ± Bend ± Two Place Decimal ± Three Place Decimal ±	Name		Date	Primelite Mfg. Corp.		
	Drawn	T.A.R.	10/22/09			
	Checked			17/852		
	ENG Appr.					
	MFR Appr.					
QA				Size	Drawing No.	Rev
Construction: All Aluminum Pipe Size: 1/2" Lamp: 1-200A	Comments CAD Generated Drawing Do Not Manually Update			A	0001	A
		Scale	1:5	CAD File	Sheet	1 of 1