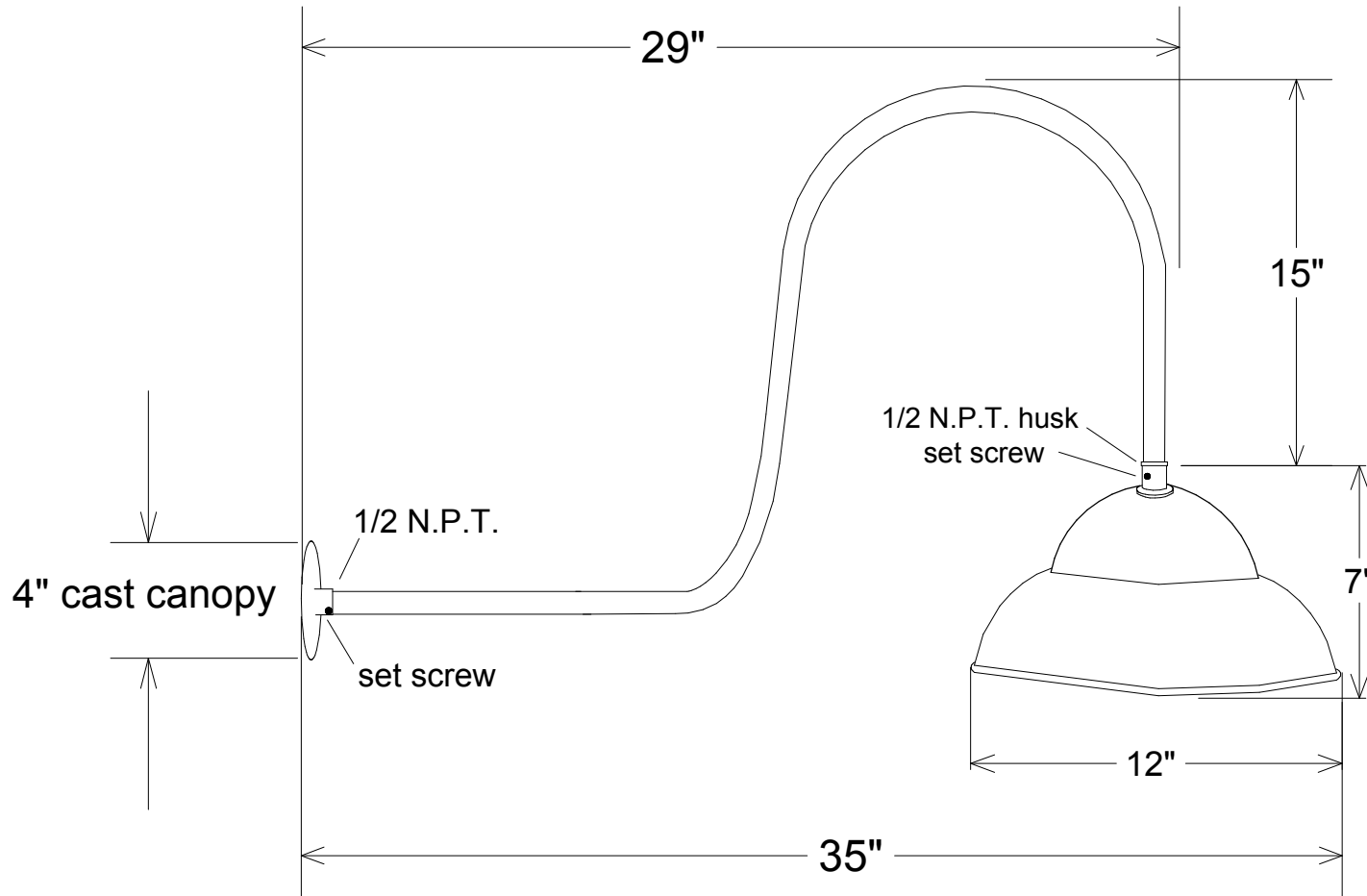


Revisions			Date	Approved
Zone	Rev	Description		



Unless Otherwise Specified: Dimensions in Inches Tolerances: Fractional ± Angular: Mach ± Bend ± Two Place Decimal ± Three Place Decimal ±	Drawn T.A.R. 10/12/09	Name T.A.R.	Date 10/12/09	Primelite Mfg. Corp. 17/851		
	Checked T.A.R. 1/07/10	ENG Appr.				
	MFR Appr.					
	QA					
	Comments CAD Generated Drawing Do Not Manually Update					
Construction: All Aluminum				Size A	Drawing No. 0001	Rev A
Pipe Size: 1/2"				Scale 1:7	CAD File	Sheet 1 of 1
Lamp: 1-200A						