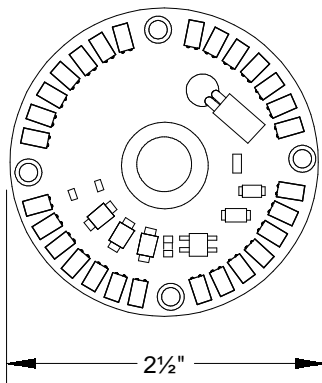


LED12



<b>Unless Otherwise Specified:</b> Dimensions in Inches Tolerances: Fractional ± Angular: Mach ± Bend ± Two Place Decimal ± Three Place Decimal ±	Name Iv Date 09/02/16	<b>Primelite Mfg. Corp.</b>  <b>16/855 ESW LED12 Special</b>		
	Drawn			
	Checked			
	ENG Appr.			
	MFR Appr.			
Construction: All Aluminum	Comments CAD Generated Drawing Do Not Manually Update	Size <b>A</b>	Drawing No. <b>0001</b>	Rev <b>A</b>
Pipe Size: 1/2"	Scale <b>1:3</b>	CAD File	Sheet <b>1 of 1</b>	