

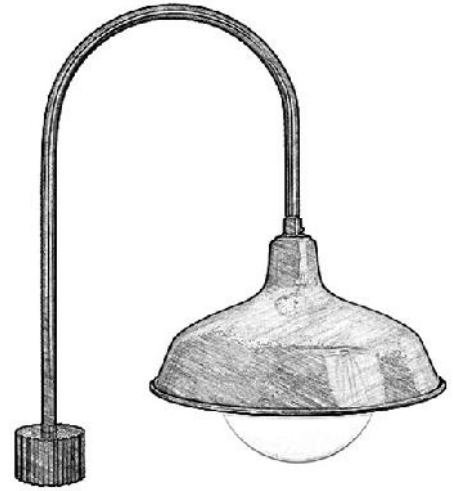
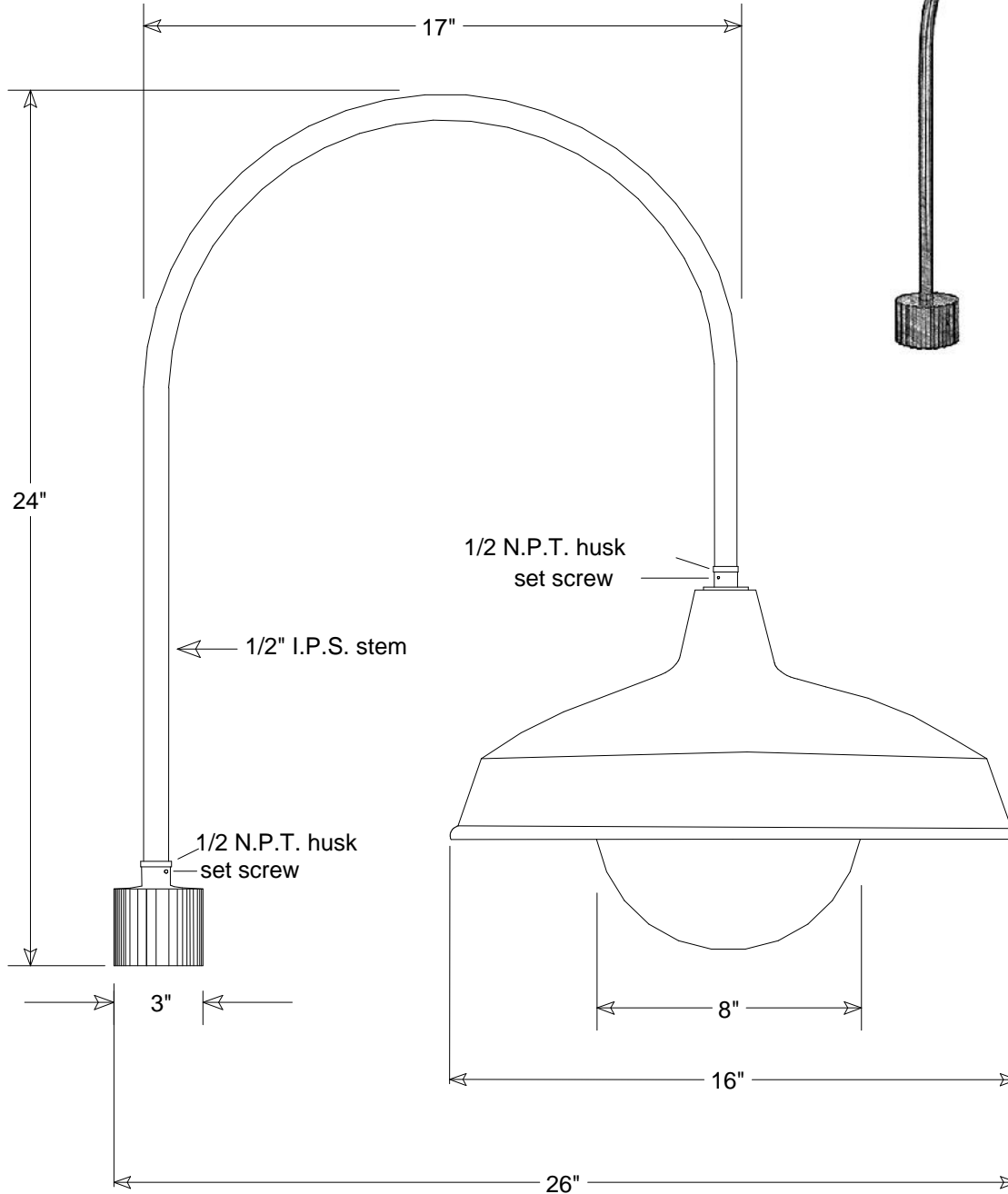


# Primelite Manufacturing Corp

407 S Main St, Freeport, NY 11520

Phone: 516-868-4411 | Fax: 516-868-4609  
 sales@primelite-mfg.com | www.primelite-mfg.com

PART # <b>#1566</b>	LAMP Incandescent   LED	VOLTAGE 120V	COLOR Power Coated Paint
JOB NAME			TYPE Post Mount Light



Lamp: Incandescent   LED	Name	Date	<b>Gooseneck Post Mount #1566</b>						
	Drawn	iv	09/17/18	16" Dia Shade   8" Acrylic Globe   17" Arm					
	Checked			Revisions					
	ENG Appr.			Zone	Rev	Description	Date	Approved	
Construction: Aluminum, Acrylic	MFR Appr.			Size	Drawing No.	Rev			
	QA			<b>A</b>	<b>0001</b>	<b>A</b>			
Unless Otherwise Specified: Dimensions in Inches	Comments			Scale	CAD File	Sheet			
						<b>1 of 1</b>			