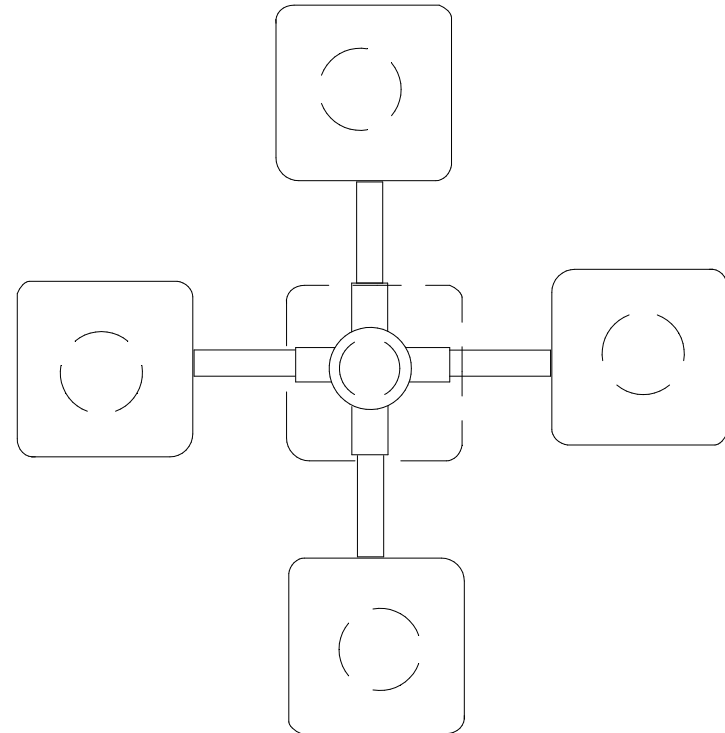
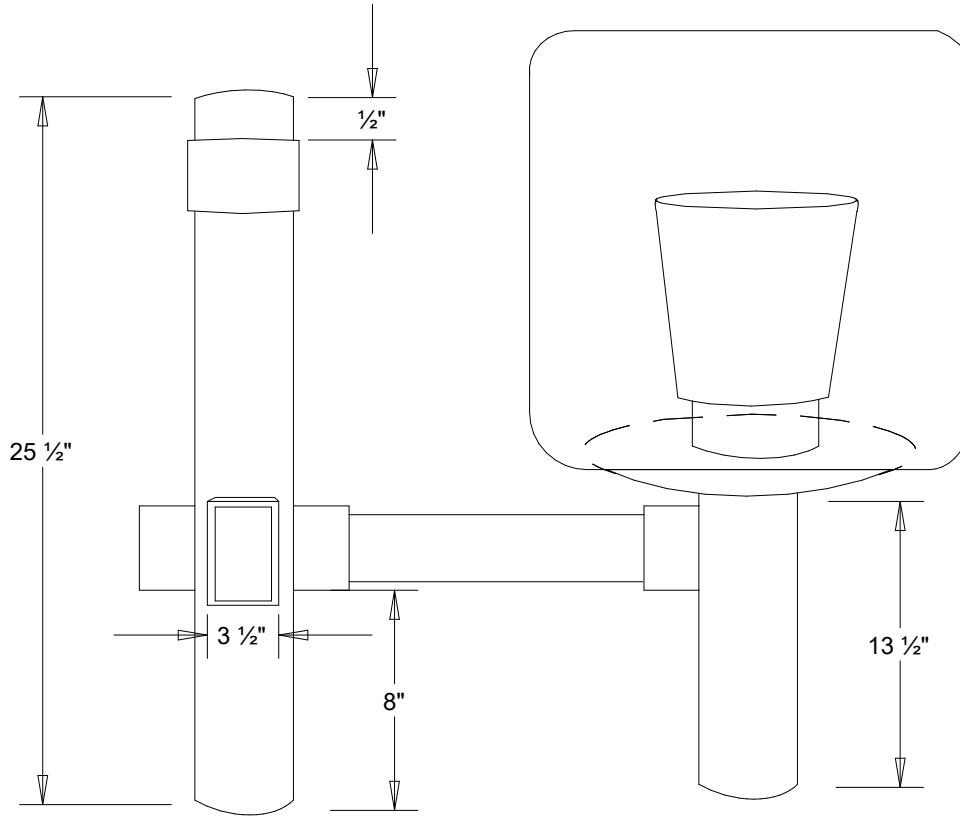




Primelite Manufacturing Corp

407 S Main St, Freeport, NY 11520
 Phone: 516-868-4411 | Fax: 516-868-4609
 sales@primelite-mfg.com | www.primelite-mfg.com

| | | | |
|------------------------|-----------------------------------|-------------------------|-------------------------------------|
| PART # #1515 | LAMP Incandescent LED | VOLTAGE 120 V | COLOR Powder Coated Paint |
| JOB NAME | | | TYPE Post Light |



| | | | | | |
|--|------------------|-------------|--|--------------------|---------------|
| Lamp: Incandescent LED | Name | Date | Post Light #1515 H5 | | |
| | Drawn | MM 10/2018 | | | |
| | Checked | | 10" Dia Shade 22" Arm 90° Angle Swivel | | |
| | ENG Appr. | | Size | Drawing No. | Rev |
| | MFR Appr. | | A | 0001 | A |
| Construction: Aluminum | QA | | Scale | CAD File | Sheet |
| Unless Otherwise Specified: Dimensions in Inches | Weight | | | | 1 of 1 |

| Revisions | | | | |
|-----------|-----|-------------|------|----------|
| Zone | Rev | Description | Date | Approved |
| | | | | |
| | | | | |
| | | | | |