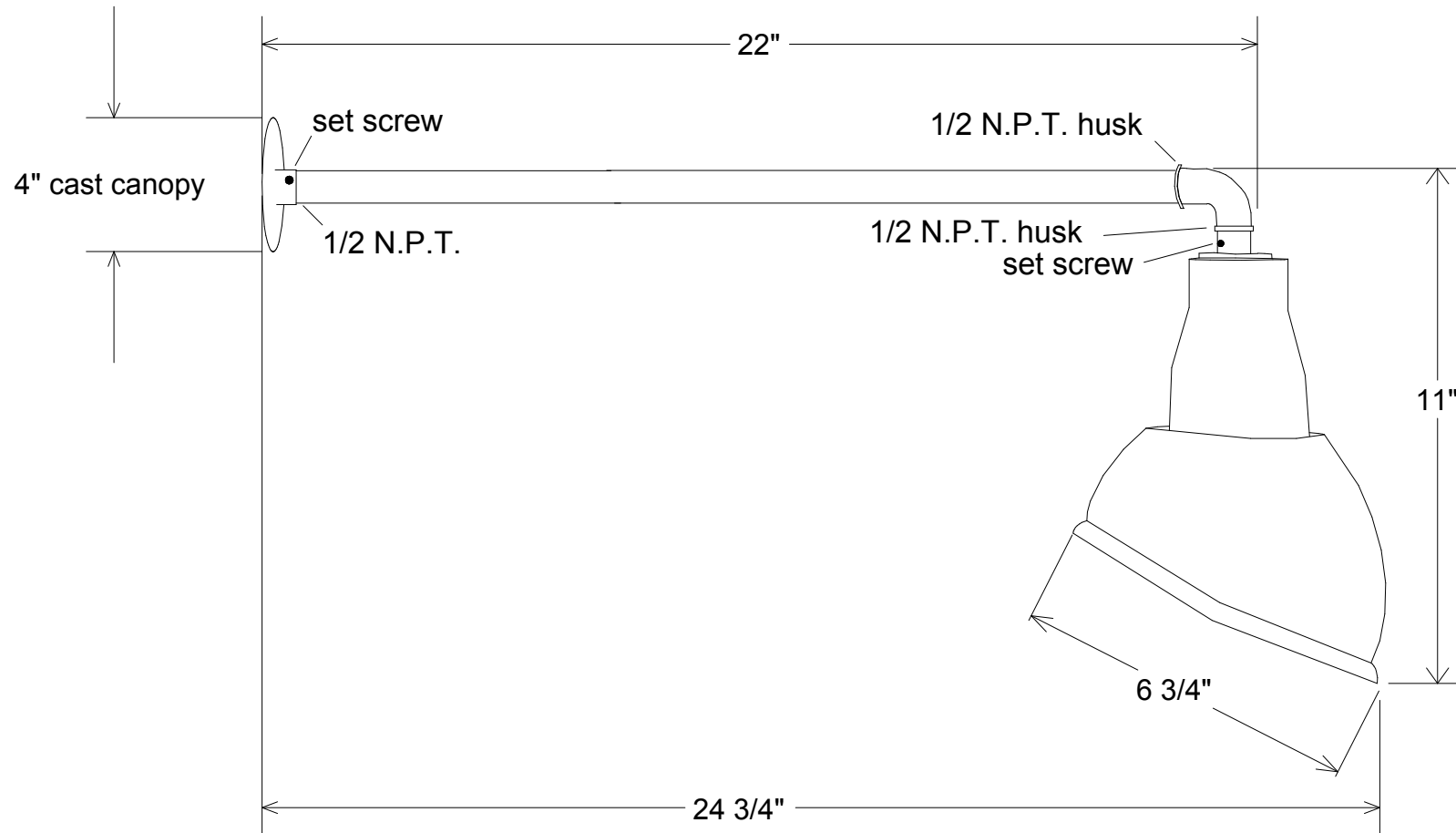


Revisions			Date	Approved
Zone	Rev	Description		



Unless Otherwise Specified: Dimensions in Inches Tolerances: Fractional ± Angular: Mach ± Bend ± Two Place Decimal ± Three Place Decimal ±	Drawn	Name	Date	Primelite Mfg. Corp. 15/855
		T.A.R.	05/21/10	
	Checked			
	ENG Appr.			
	MFR Appr.			
	QA			
Construction: All Aluminum	Comments			Size
Pipe Size: 1/2"	CAD Generated Drawing Do Not Manually Update			A
Lamp: 1-100A				Drawing No.
				0001
				Rev
				A
	Scale	1:4	CAD File	Sheet
				1 of 1