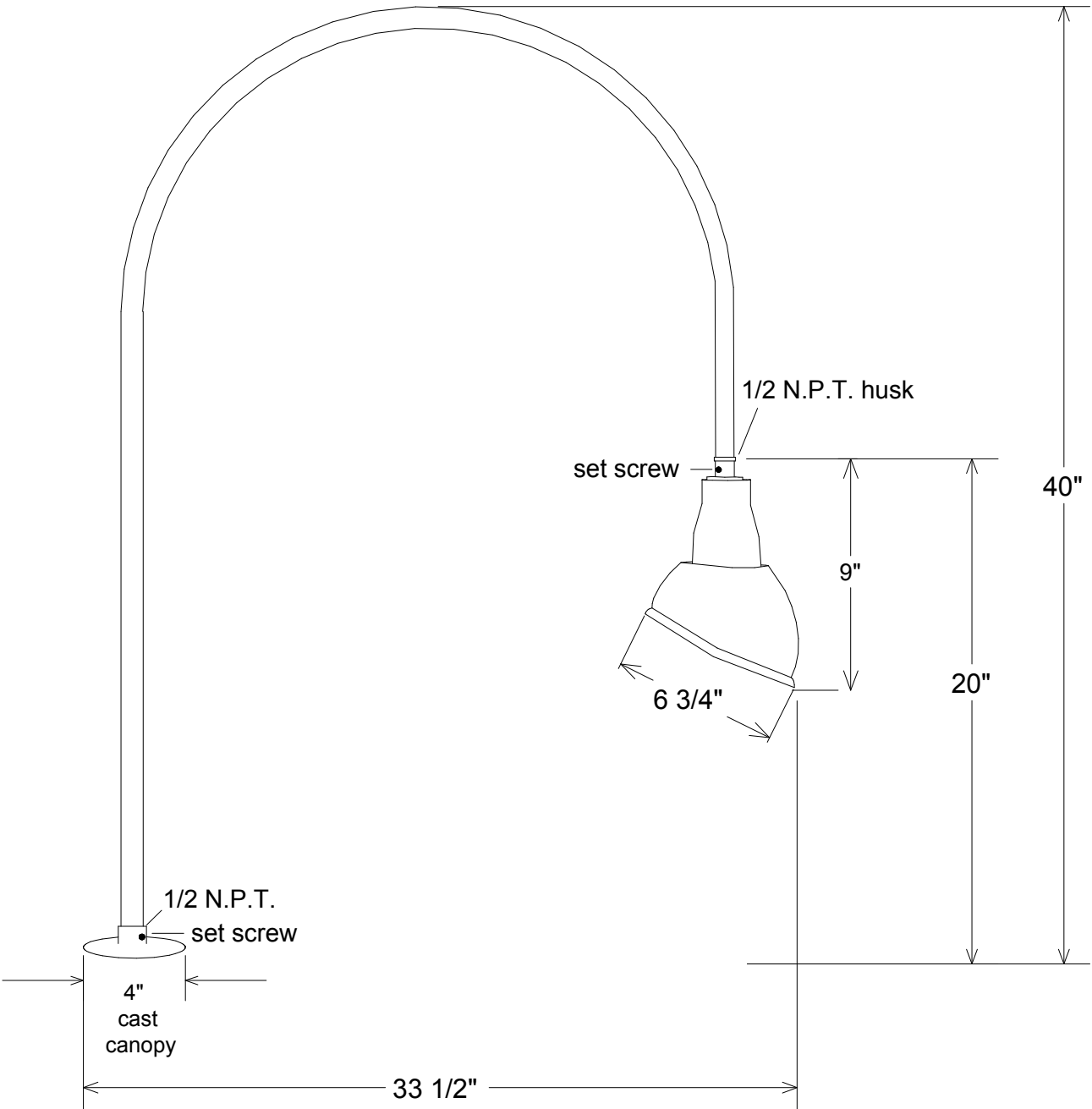


| Revisions | | | | |
|-----------|-----|-------------|------|----------|
| Zone | Rev | Description | Date | Approved |
| | | | | |
| | | | | |
| | | | | |



| | | | | | | |
|--|---|--------|------------|-----------------------------|---------------|--|
| Unless Otherwise Specified: Dimensions in Inches Tolerances: Fractional ± Angular: Mach ± Bend ± Two Place Decimal ± Three Place Decimal ± | Name | | Date | Primelite Mfg. Corp. | | |
| | Drawn | T.A.R. | 05/21/10 | | | |
| | Checked | | | 15/854 | | |
| | ENG Appr. | | | | | |
| | MFR Appr. | | | | | |
| QA | | | Size | | | |
| Comments | CAD Generated Drawing Do Not Manually Update | | | Drawing No. | Rev | |
| Construction: All Aluminum | | | A | 0001 | A | |
| Pipe Size: 1/2" | | | Scale | CAD File | Sheet | |
| Lamp: 1-100A | | | 1:6 | | 1 of 1 | |