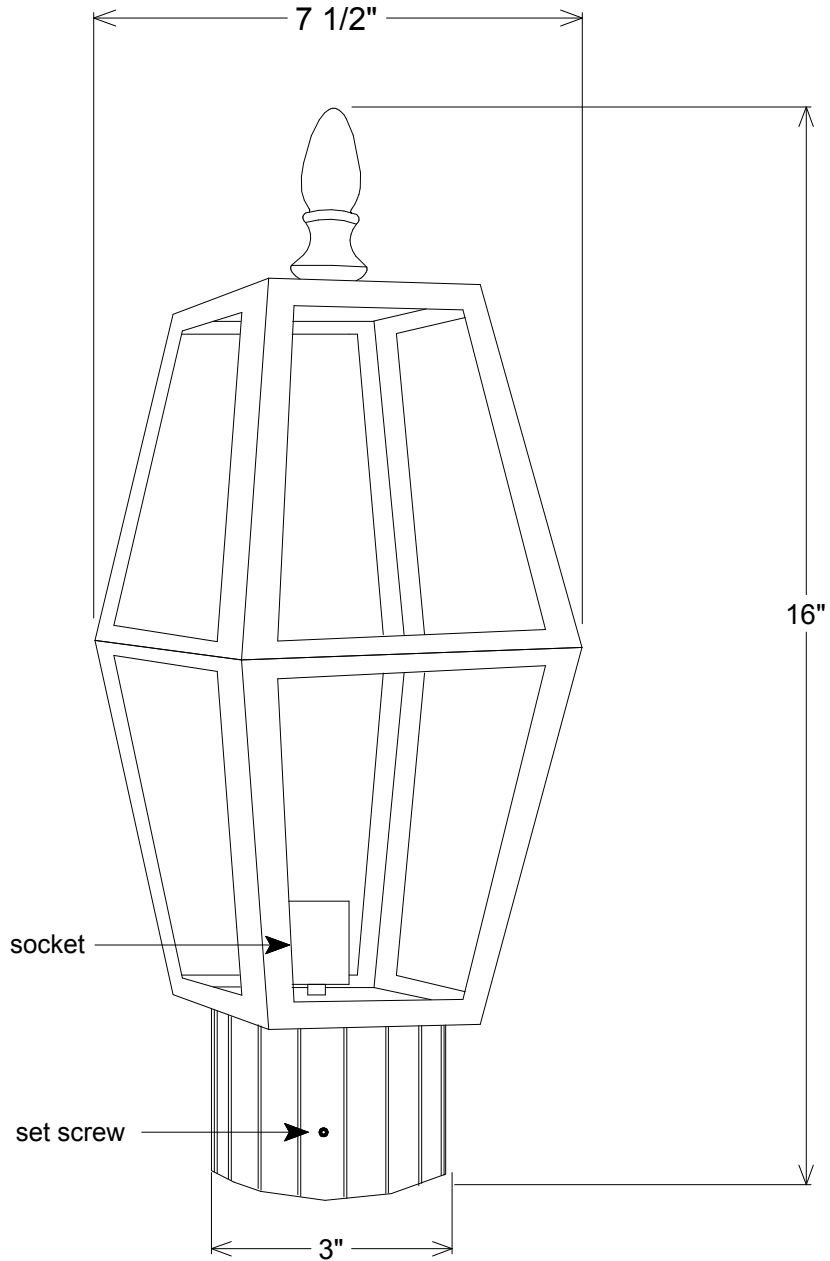


Revisions				
Zone	Rev	Description	Date	Approved



Unless Otherwise Specified: Dimensions in Inches Tolerances: Fractional ± Angular: Mach ± Bend ± Two Place Decimal ± Three Place Decimal ±		Name	Date	Primelite Mfg. Corp. 1331 16"X7 1/2" Cast Aluminum Lantern Post Light		
	Drawn	T.A.R.	05/26/10			
	Checked					
	ENG Appr.					
	MFR Appr.					
		QA				
	Comments			Size	Drawing No.	Rev
Construction: All Aluminum	CAD Generated Drawing Do Not Manually Update			A	0001	A
Lamp: 1-150A				Scale	CAD File	Sheet
				1:3		1 of 1