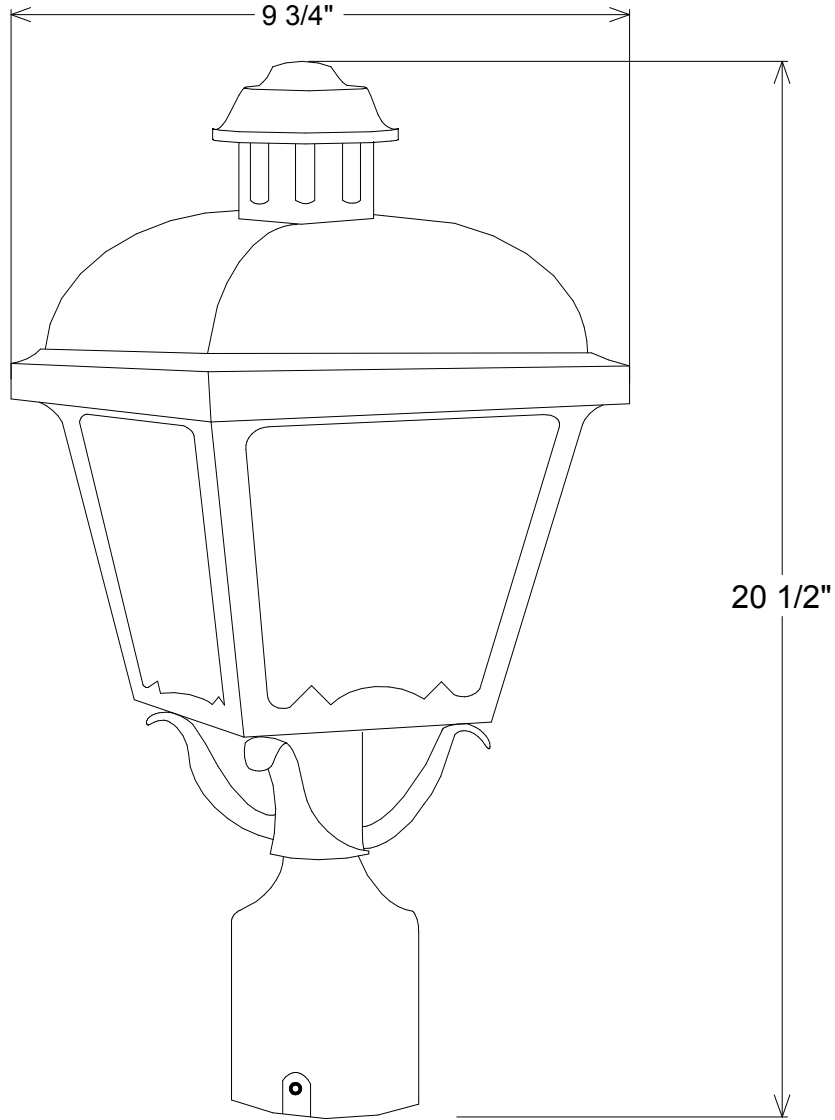


Revisions				
Zone	Rev	Description	Date	Approved



Unless Otherwise Specified: Dimensions in Inches Tolerances: Fractional ± Angular: Mach ± Bend ± Two Place Decimal ± Three Place Decimal ±	Name	Date	Primelite Mfg. Corp. 1329		
	Drawn	T.A.R.			04/15/10
	Checked				
	ENG Appr.				
	MFR Appr.				
	QA				
	Comments		Size	Drawing No.	Rev
Construction: All Aluminum	CAD Generated Drawing Do Not Manually Update		A	0001	A
Lamp: 1-250A			Scale	CAD File	Sheet
			1:5		1 of 1