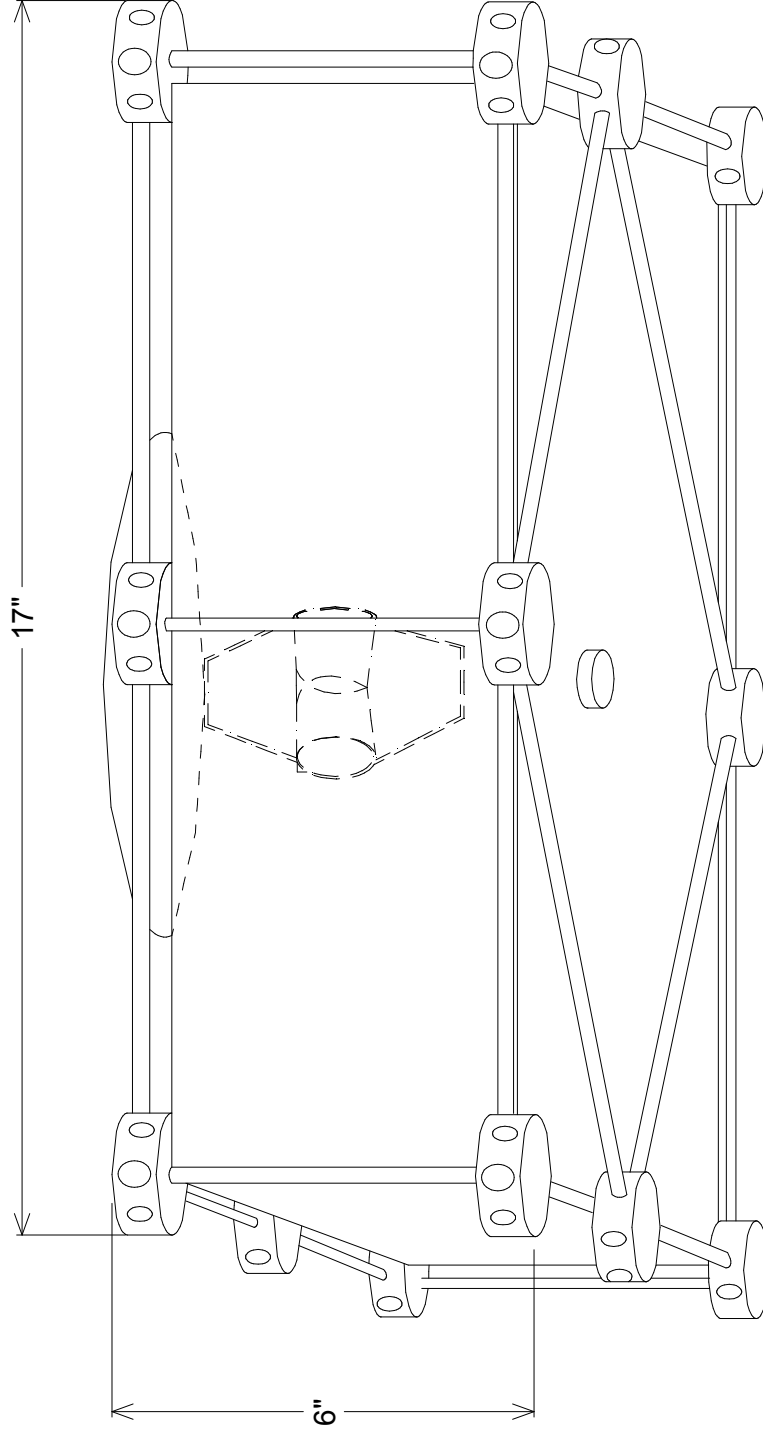


Revisions		Date		Approved	
Zone	Rev	Description	Date	Approved	



<b>Unless Otherwise Specified:</b>		<b>Drawn</b>	<b>Name</b>	<b>Date</b>
Dimensions in Inches			T.A.R.	10/6/10
Tolerances: Fractional ±		<b>Checked</b>		
Angular: Mach ± Bend ±		<b>ENG Appr.</b>		
Two Place Decimal ±		<b>MFR Appr.</b>		
Three Place Decimal ±		<b>QA</b>		
<b>Plastic Construction. Translucent sides.</b>		<b>Comments</b>		
<b>Lamp: 4-60</b>		CAD Generated Drawing Do Not Manually Update		
<b>Primelight Mfg. Corp.</b>				
<b>130</b>				
<b>Size</b>	<b>Drawing No.</b>	<b>Rev</b>		
<b>A</b>	<b>0001</b>	<b>A</b>		
<b>Scale</b>	<b>1:2</b>	<b>CAD File</b>	<b>Sheet</b>	<b>1 of 1</b>