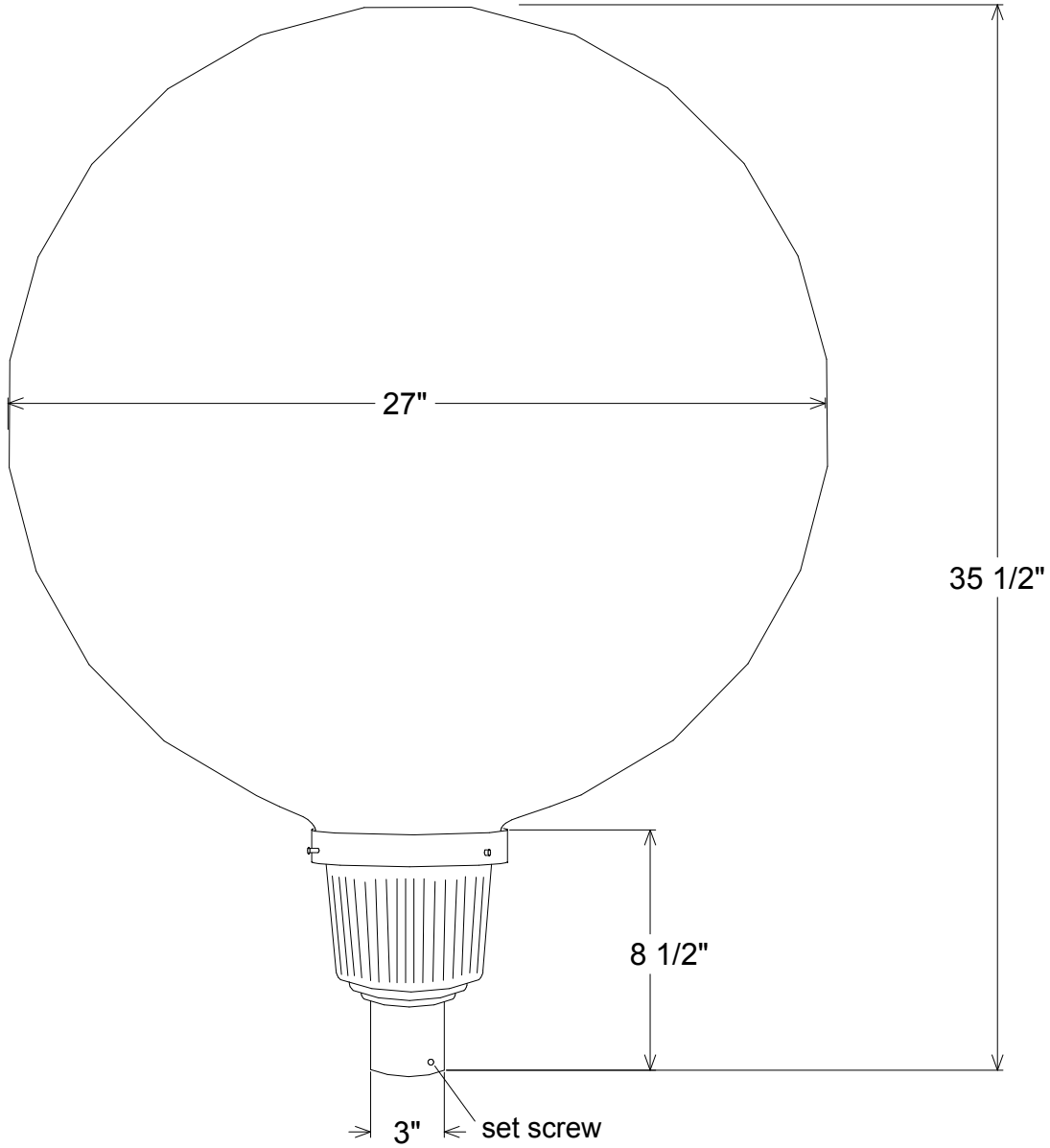


Revisions				
Zone	Rev	Description	Date	Approved



Unless Otherwise Specified: Dimensions in Inches Tolerances: Fractional ± Angular: Mach ± Bend ± Two Place Decimal ± Three Place Decimal ±	Name	Date	Primelite Mfg. Corp. 1297B 27" Acrylic Post Light with Ballast Pot		
	Drawn	T.A.R.			08/17/10
	Checked				
	ENG Appr.				
	MFR Appr.				
Construction: All Aluminum	Comments CAD Generated Drawing Do Not Manually Update		Size A	Drawing No. 0001	Rev A
Lamp: 1-300A			Scale 1:5	CAD File	Sheet 1 of 1