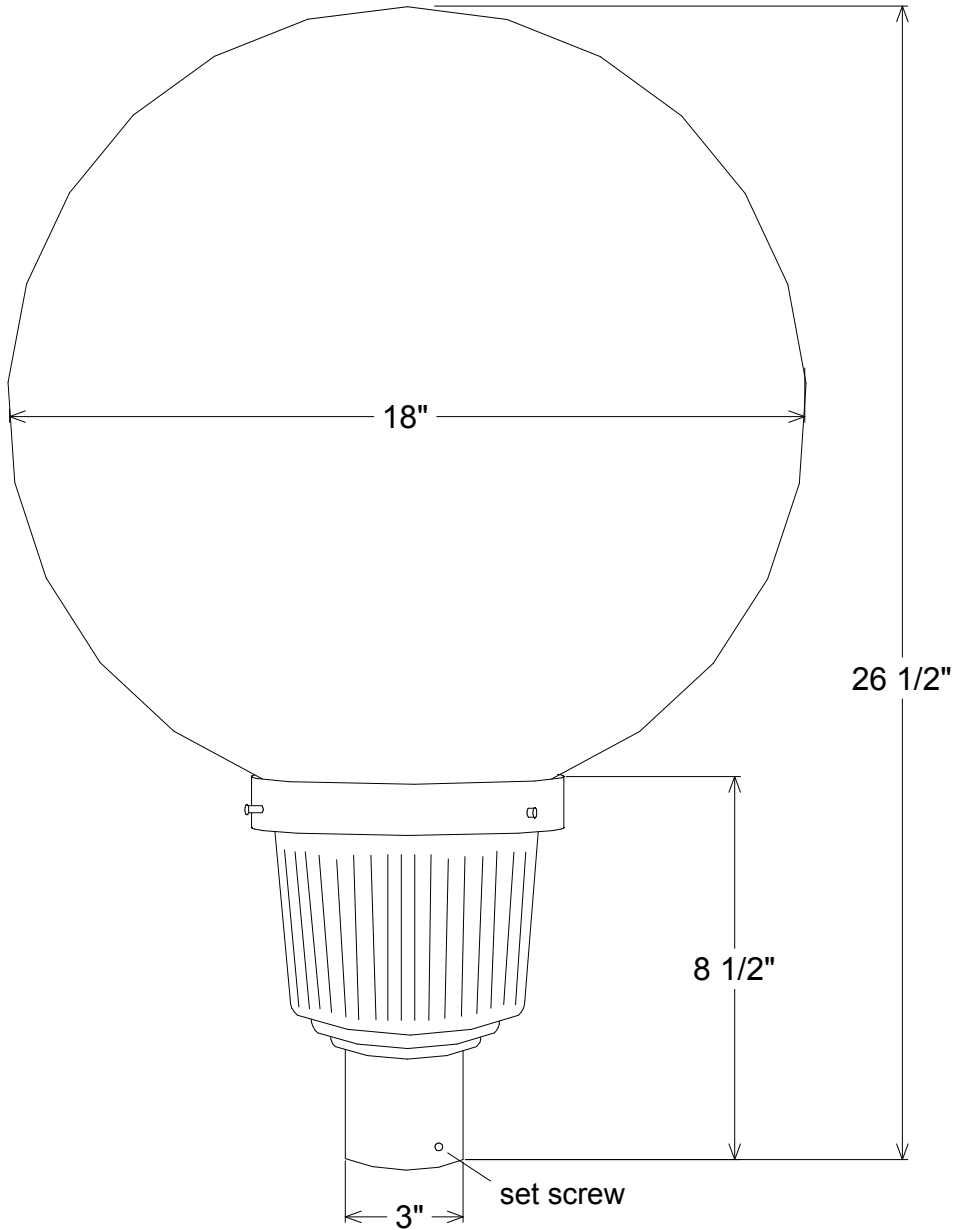


Revisions				
Zone	Rev	Description	Date	Approved



<b>Unless Otherwise Specified:</b> Dimensions in Inches Tolerances: Fractional ± Angular: Mach ± Bend ± Two Place Decimal ± Three Place Decimal ±	Name	Date	<b>Primelite Mfg. Corp.</b>  <b>1288B</b>  <b>18" Acrylic Post Light with Ballast Pot</b>		
	Drawn	T.A.R.			08/17/10
	Checked				
	ENG Appr.				
	MFR Appr.				
Construction: All Aluminum	Comments CAD Generated Drawing Do Not Manually Update		Size <b>A</b>	Drawing No. <b>0001</b>	Rev <b>A</b>
Lamp: 1-200A			Scale <b>1:4</b>	CAD File	Sheet <b>1 of 1</b>