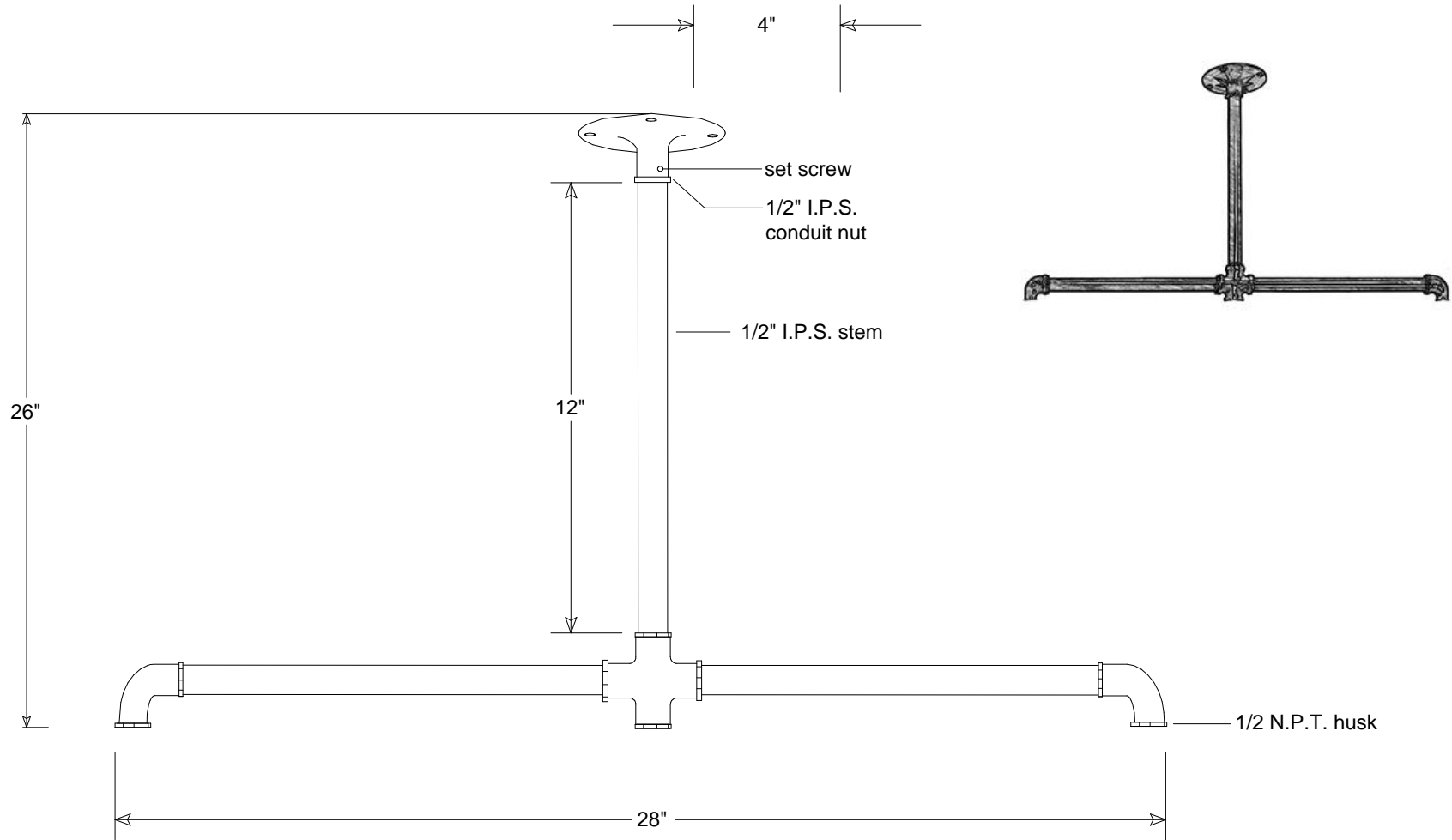




# Primelite Manufacturing Corp

407 S Main St, Freeport, NY 11520  
 Phone: 516-868-4411 | Fax: 516-868-4609  
 sales@primelite-mfg.com | www.primelite-mfg.com

<b>PART #</b> #123	<b>LAMP</b>	<b>VOLTAGE</b>	<b>COLOR</b> Powder Coated Paint
<b>JOB NAME</b>			<b>TYPE</b> Arm   Industrial Series



<b>Construction: Aluminum</b>  <b>Unless Otherwise Specified:</b> Dimensions in Inches	<b>Name</b>	<b>Date</b>	<b>Arm #123</b>  <b>Industrial Series</b>			
	<b>Drawn</b>	lv				04/12/18
	<b>Checked</b>			<b>Size</b> <b>A</b>	<b>Drawing No.</b> <b>0001</b>	<b>Rev</b> <b>A</b>
	<b>ENG Appr.</b>					
	<b>MFR Appr.</b>					
	<b>QA</b>		<b>Scale</b>	<b>CAD File</b>	<b>Sheet</b> <b>1 of 1</b>	

Revisions				
Zone	Rev	Description	Date	Approved