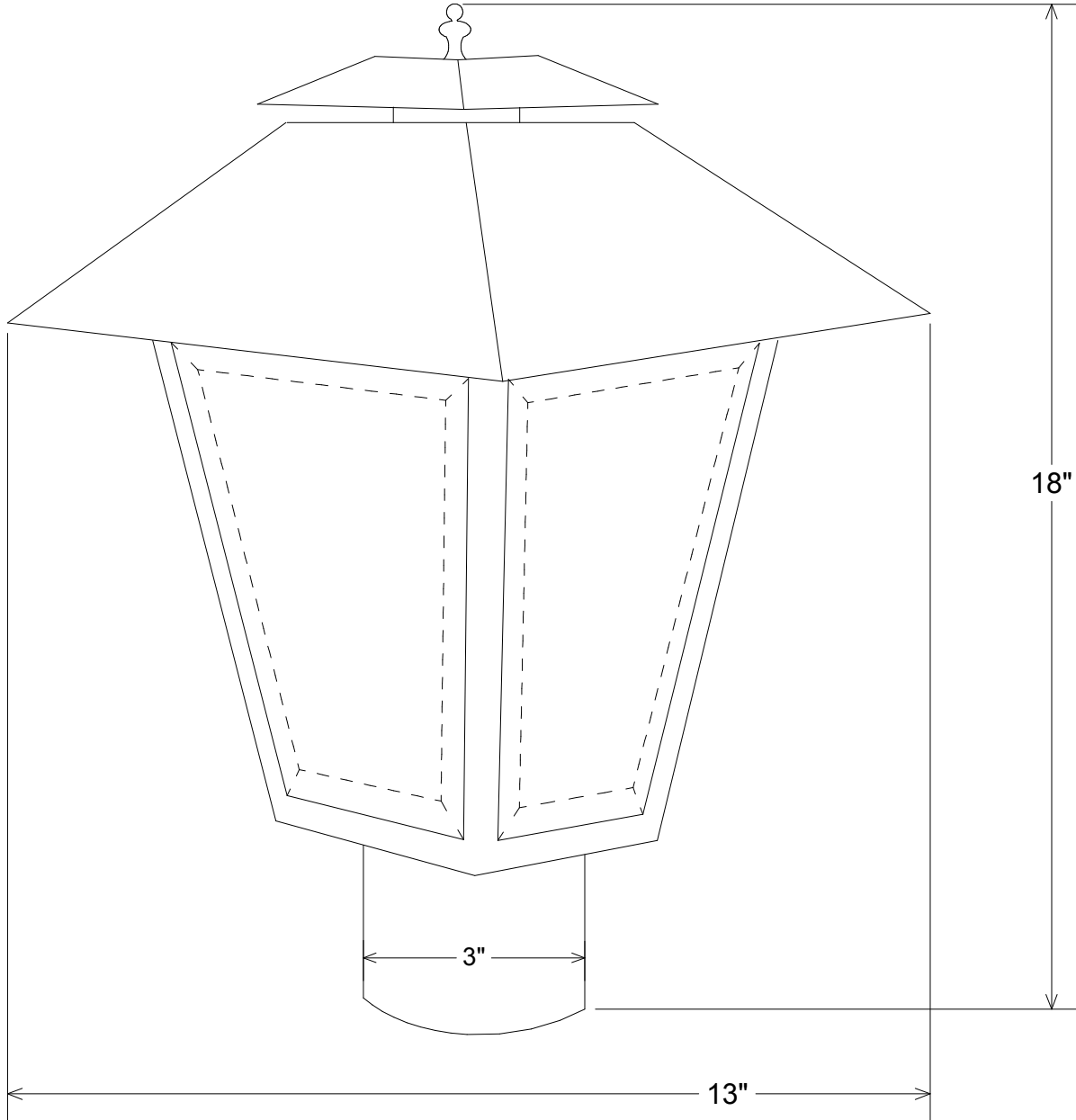


Revisions				
Zone	Rev	Description	Date	Approved



<b>Unless Otherwise Specified:</b> Dimensions in Inches Tolerances: Fractional ± Angular: Mach ± Bend ± Two Place Decimal ± Three Place Decimal ±		Name	Date	<b>Primelite Mfg. Corp.</b>		
	Drawn	T.A.R.	08/23/10			
	Checked					
	ENG Appr.					
	MFR Appr.					
QA				Size	Drawing No.	Rev
Construction: Polypropylene	Comments			<b>A</b>	<b>0001</b>	<b>A</b>
	CAD Generated Drawing Do Not Manually Update			Scale	CAD File	Sheet
Lamp: 1-150A				<b>1:3</b>		<b>1 of 1</b>