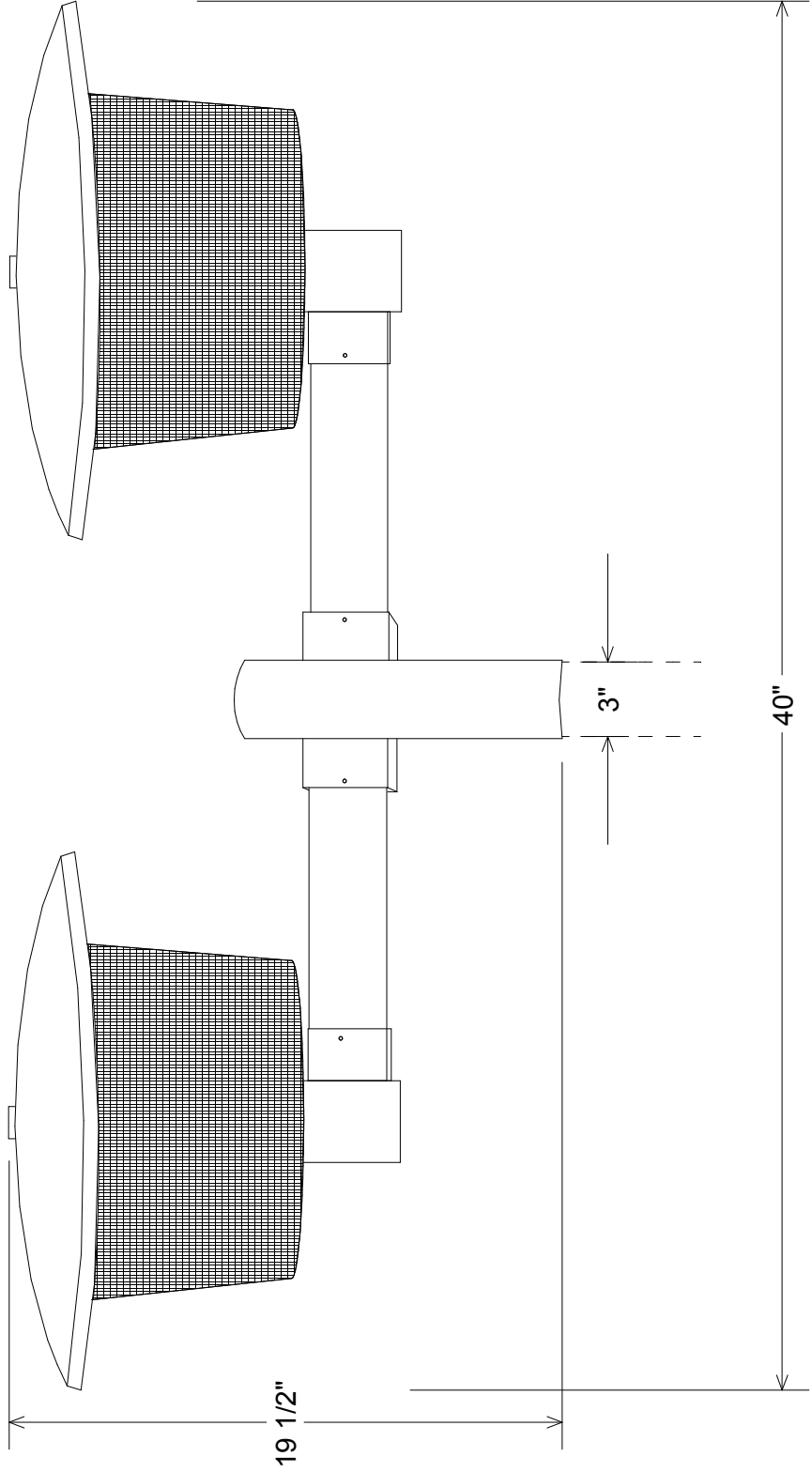


Revisions		Date		Approved	
Zone	Rev	Description	Date	Approved	



Unless Otherwise Specified:
 Dimensions in Inches
 Tolerances: Fractional ±
 Angular: Mach ± Bend ±
 Two Place Decimal ±
 Three Place Decimal ±

Construction: Aluminum, acrylic
Lamp: 2-200, 2-150MH
 Post sold separately

Drawn	Name	Date
Checked	T.A.R.	08/23/10
ENG Appr.		
MFR Appr.		
QA		
Comments CAD Generated Drawing Do Not Manually Update		

Primelite Mfg. Corp.		
1198 H2		
Size	Drawing No.	Rev
A	0001	A
Scale	CAD File	Sheet
1:6		1 of 1