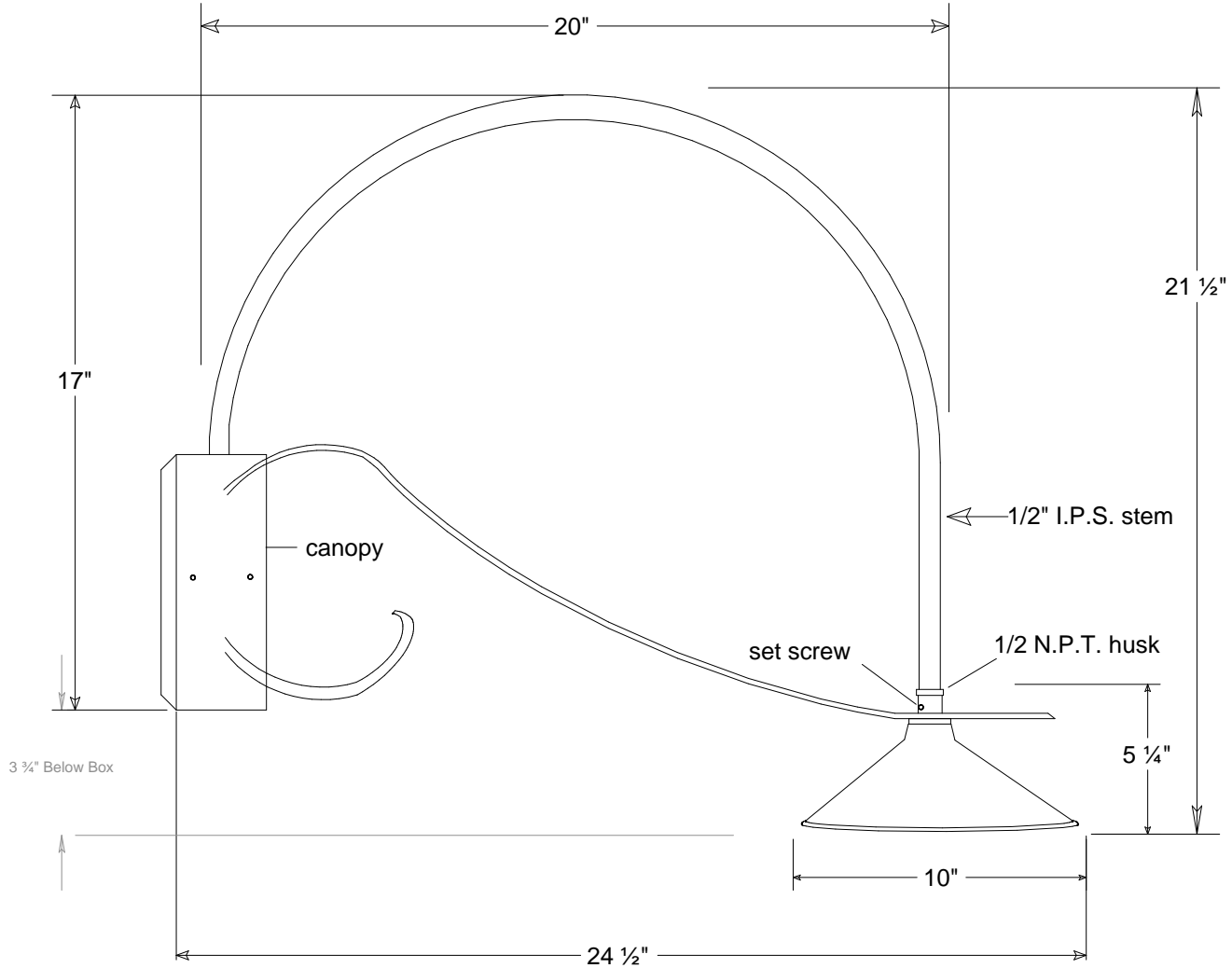




Primelite Manufacturing Corp

407 S Main St, Freeport, NY 11520
 Phone: 516-868-4411 | Fax: 516-868-4609
 sales@primelite-mfg.com | www.primelite-mfg.com

PART #	LAMP	VOLTAGE	COLOR
JOB NAME			TYPE



Unless Otherwise Specified: Dimensions in Inches Tolerances: Fractional ± Angular: Mach ± Bend ± Two Place Decimal ± Three Place Decimal ±	Name		Date	Gooseneck #111/10-866 SCA 10" Shade 20" Arm 3 3/4" Below Box						
	Drawn	iv	12/29/17							
	Checked									
	ENG Appr.									
	MFR Appr.									
Construction: Aluminum	QA			Size	Drawing No.	Rev	Revisions			
				A	0001	A	Zone	Rev	Description	Date
Lamp: Incandescent LED 1/60A LED12	Shade Sizes: 10", 12", 14"			Scale	CAD File	Sheet				
						1 of 1				