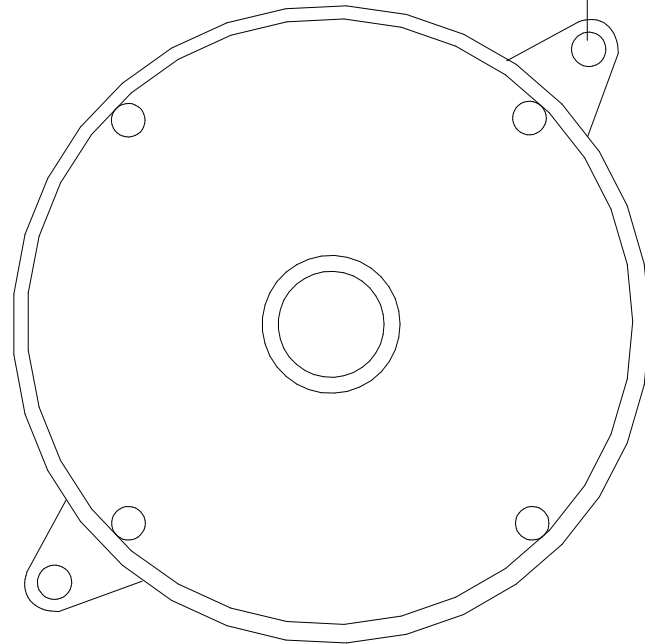
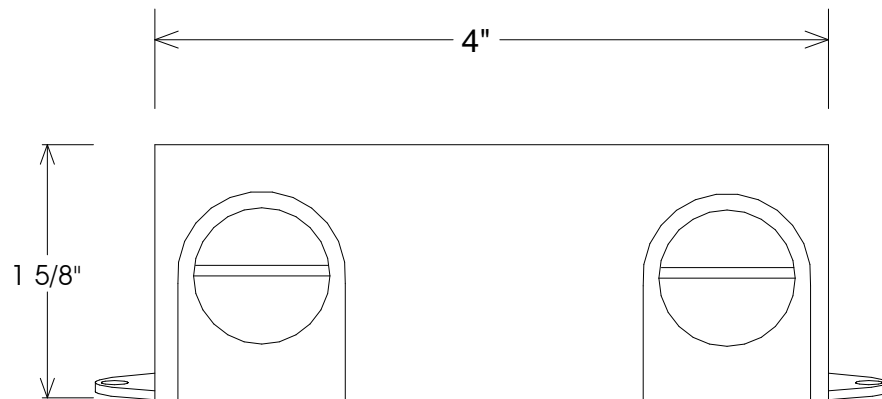


mounting holes



top view



|  |   |                    |                     |  |
|--|---|--------------------|---------------------|--|
| <b>Unless Otherwise Specified:</b><br>Dimensions in Inches<br>Tolerances: Fractional ±<br>Angular: Mach ± Bend ±<br>Two Place Decimal ±<br>Three Place Decimal ± |   | <b>Name</b>        | <b>Date</b>         | <b>Primelite Mfg. Corp.</b><br><br><b>1000 junction box</b><br><br>UL listed<br>Suitable for wet locations |
|  | <b>Drawn</b>                                    | T.A.R.             | 12/01/11            |  |
|  | <b>Checked</b>                                  |                    |                     |  |
|  | <b>ENG Appr.</b>                                |                    |                     |  |
|  | <b>MFR Appr.</b>                                |                    |                     |  |
|  | <b>QA</b>                                       |                    |                     |  |
|  | <b>Comments</b>                                 |                    |                     |  |
| <b>Construction: All Aluminum</b>  | CAD Generated Drawing<br>Do Not Manually Update |                    |                     |  |
|  | <b>Size</b>                                     | <b>Drawing No.</b> | <b>Rev</b>          |  |
|  | <b>A</b>  | <b>0001</b>        | <b>A</b>            |  |
| <b>Scale</b>   | <b>1:1</b>                                      | CAD File           | Sheet <b>1 of 1</b> |  |